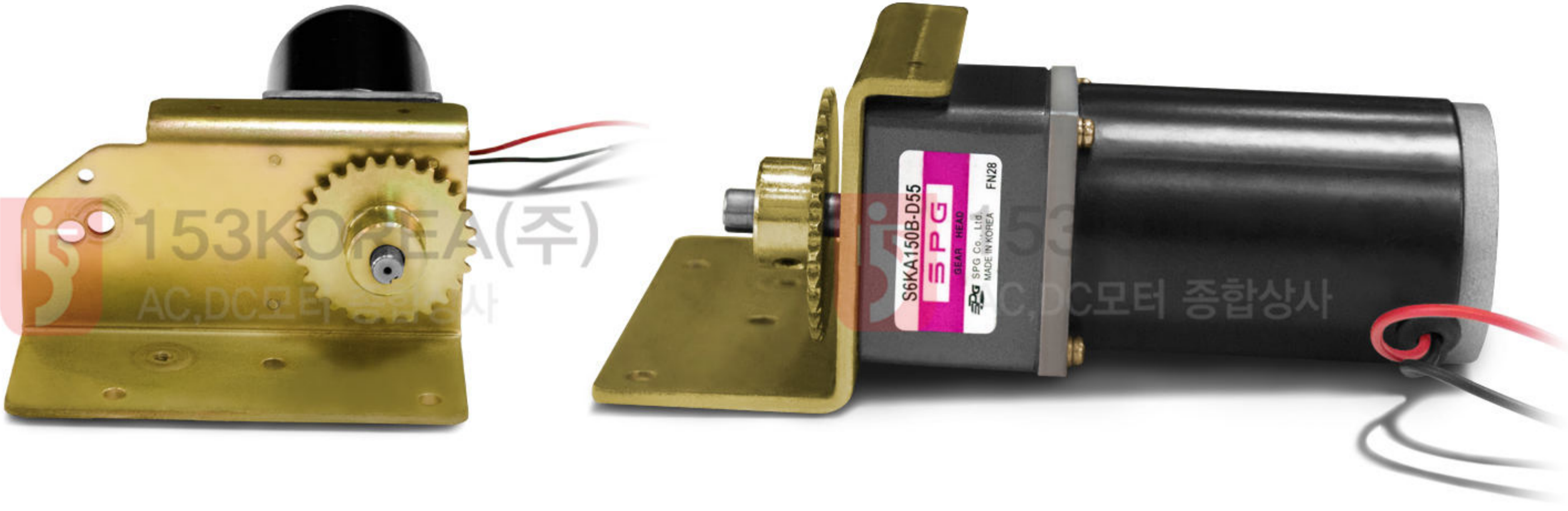
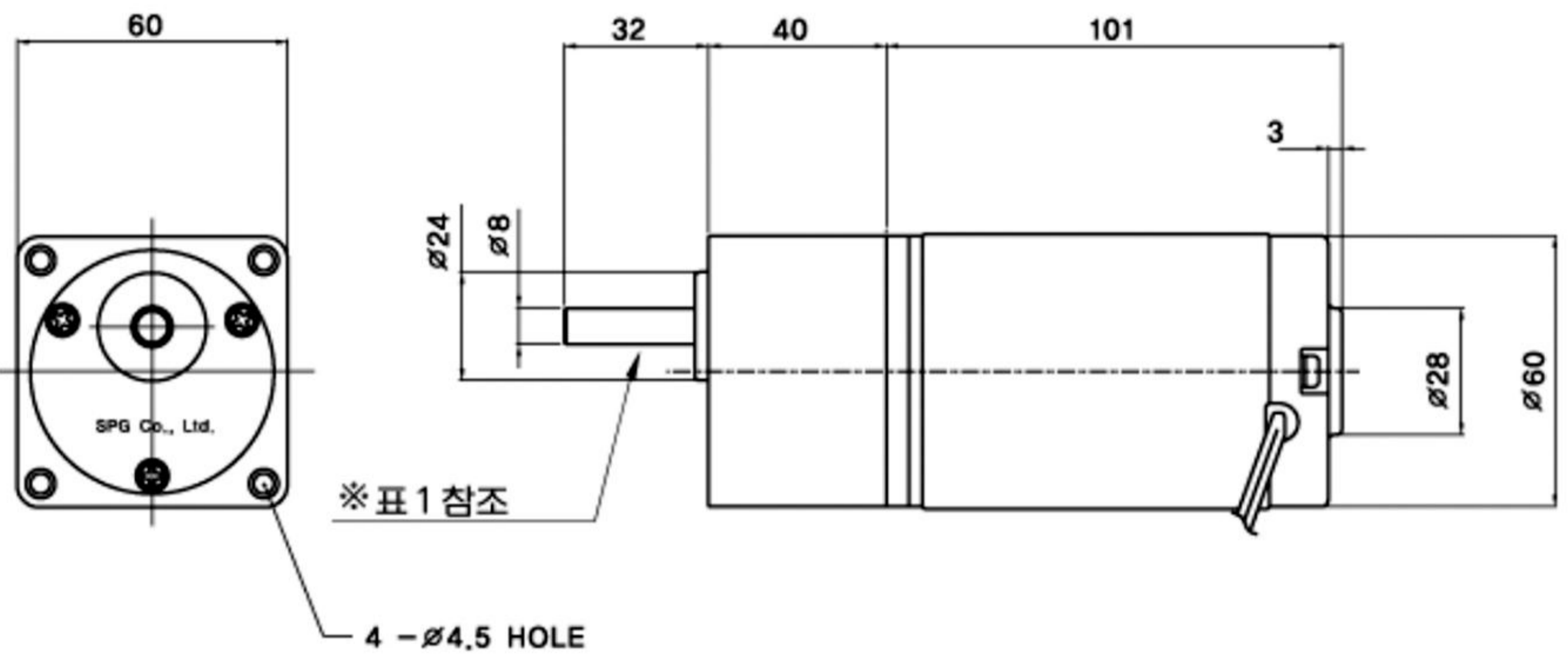


DC MOTOR

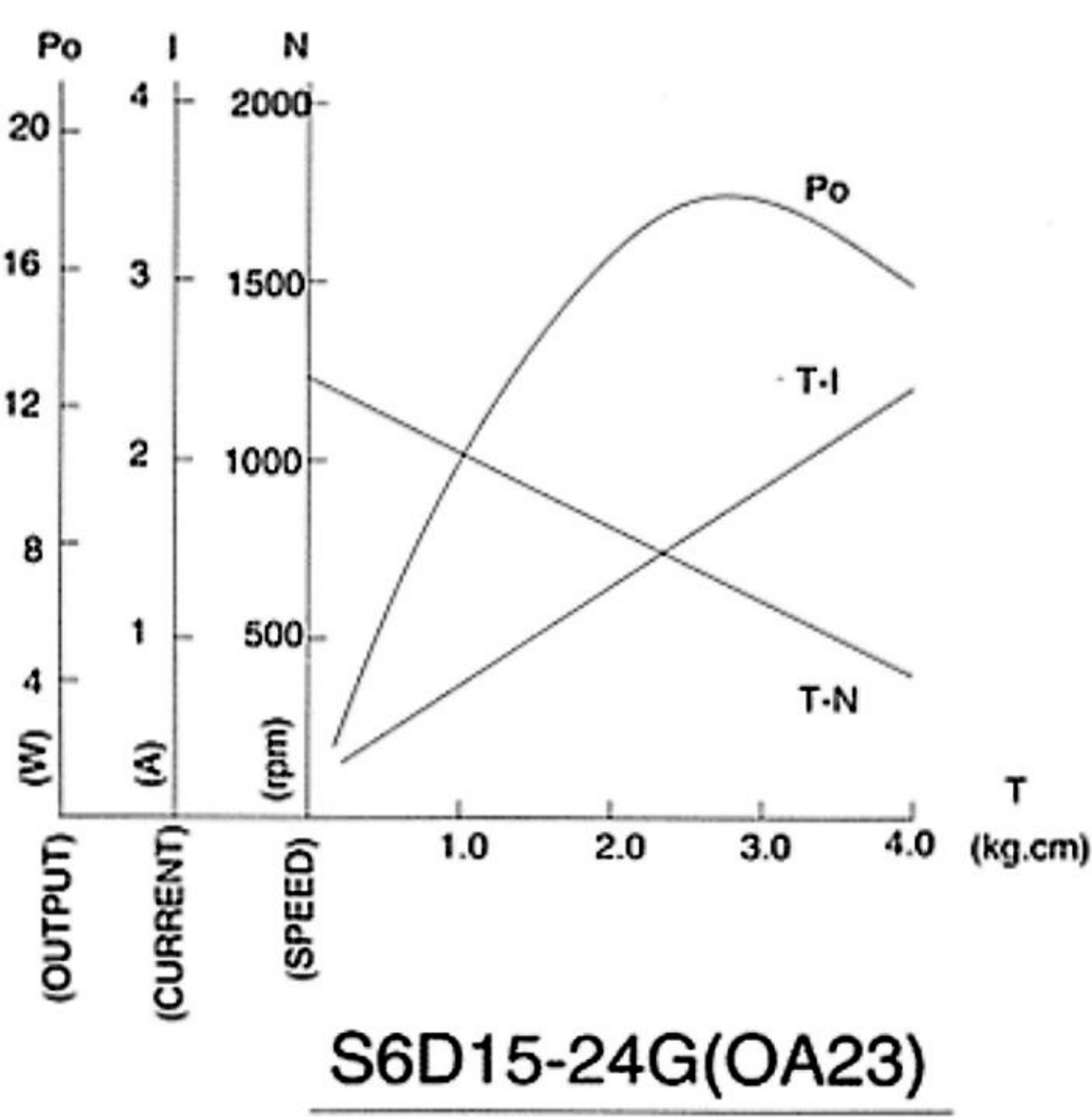
온열치료기용



DIMENSIONS



CHARACTERISTIC CURVE



MOTOR 출력축사양- (표1)

MODEL	STRAGHT TYPE	D-CUT TYPE	KEY TYPE
출력축 구분			

MOTOR SPECIFICATION

TYPE	VOLTAGE (V)	OUTPUT (W)	NO LOAD		AT RATED LOAD			RUN DUTY (Hr)	WEIGHT (Only motor) (Kg)
			REVOLUTION (RPM)	CURRENT (A)	REVOLUTION (RPM)	TORQUE (kgf · cm)	CURRENT (a)		
S6D15-24G (OA23)	24	15	1270	MAX.0.25	915	1.6	1.2	2000	0.9