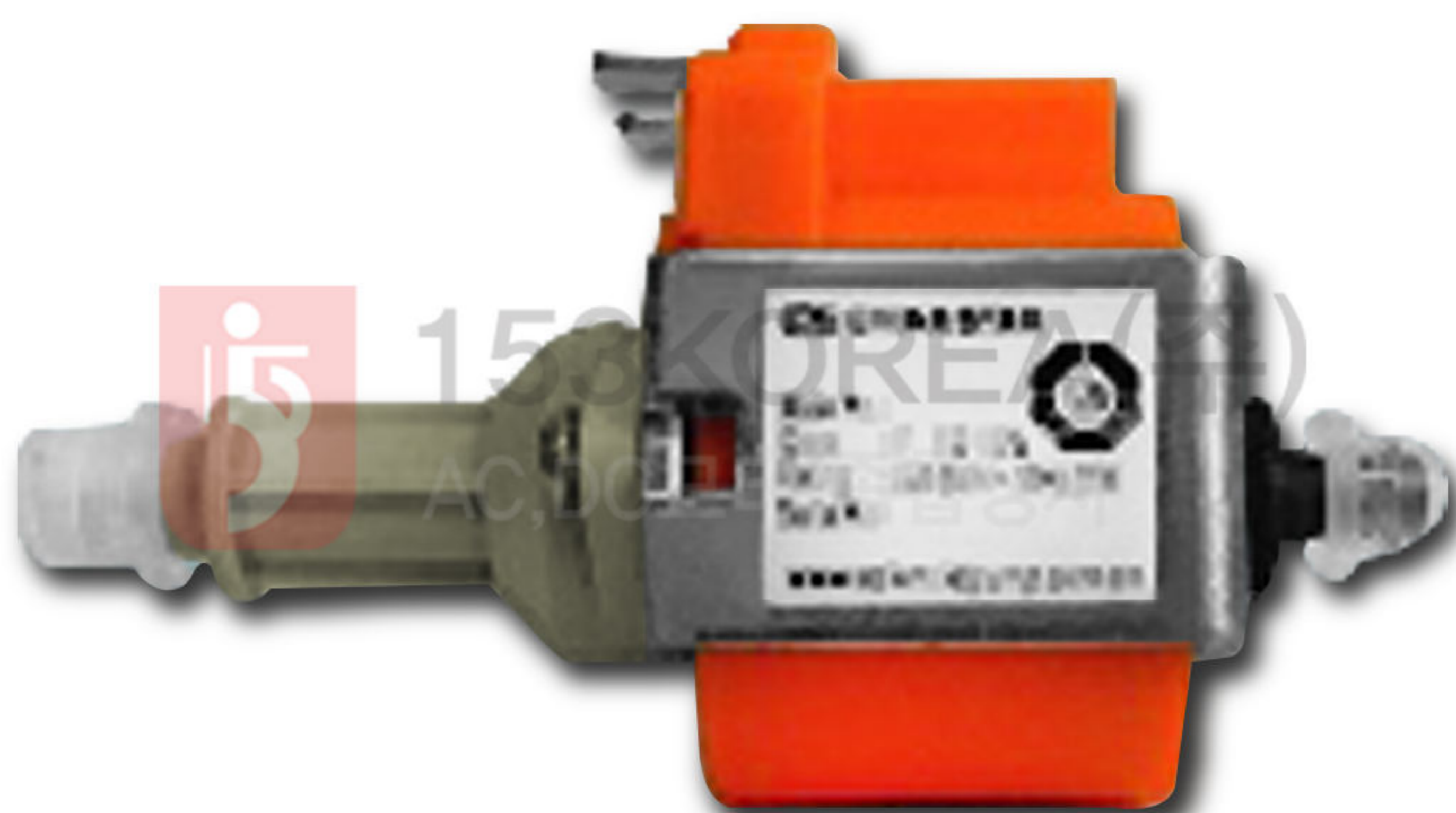


# Solenoid Pump

## CSS-04025



### APPLICATIONS

- Espresso coffee machine
- Steam generator
- Steam Iron
- Steam vacuum cleaner
- Disco smoke generator

### SPECIFICATIONS

#### COIL MOTOR

- CSS -E04025..... 220~240 VAC, 50Hz, 16W
- CSS-U02025..... 120VAC, 60Hz, 16W
- CSS-J02025.....100 VAC, 50/60Hz, 16W

Ideal fluid.....Water at 25°C

Flow rate at 0 bar.....50 cc/min

Obstructed pressure.....3.0 Bar (36.25PSI)

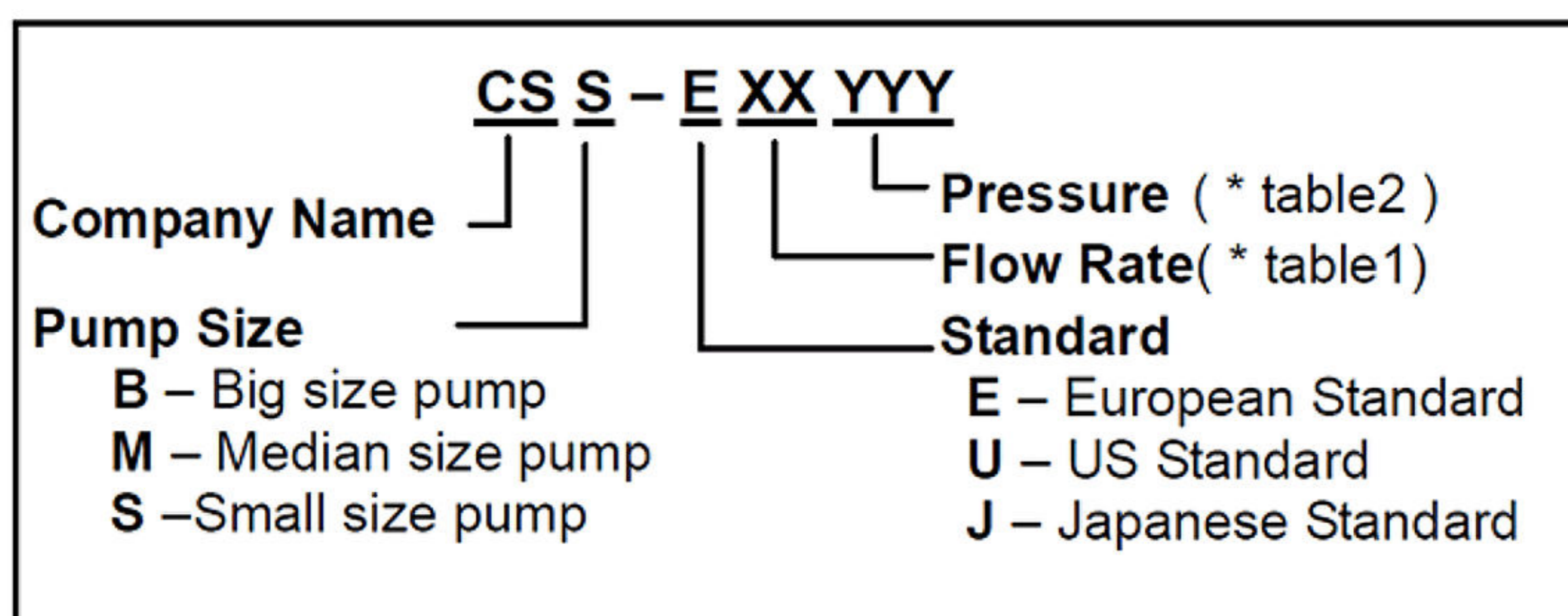
Suitable to dry-use only during priming

Working Condition & Cycle...Ta within 45°C, Tf within 35°C.

XX-The Code of Flow Rate(FR)		YYY-The Code of pressure(bar) table			
XX	FR (cc/min)	YYY	Pressure (BAR)	YYY	Pressure (BAR)
01	50	010	1.0	030	3.0
02	100	015	1.5	035	3.5
03	150	020	2.0	040	4.0
04	200	025	2.5		

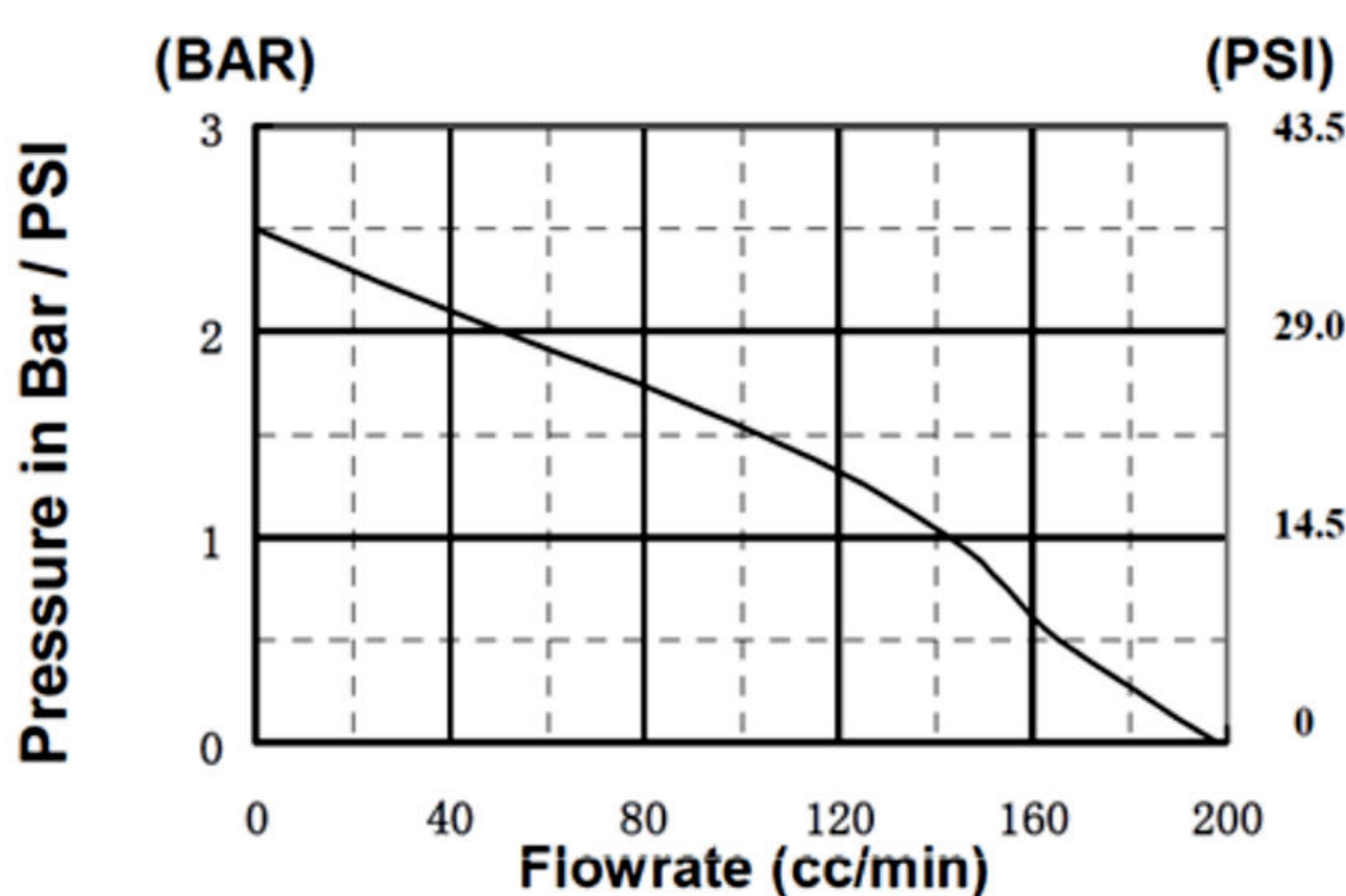
### STANDARD MODEL NUMBERING SYSTEM

#### STANDARD MODEL NUMBERING SYSTEM



### CURVE

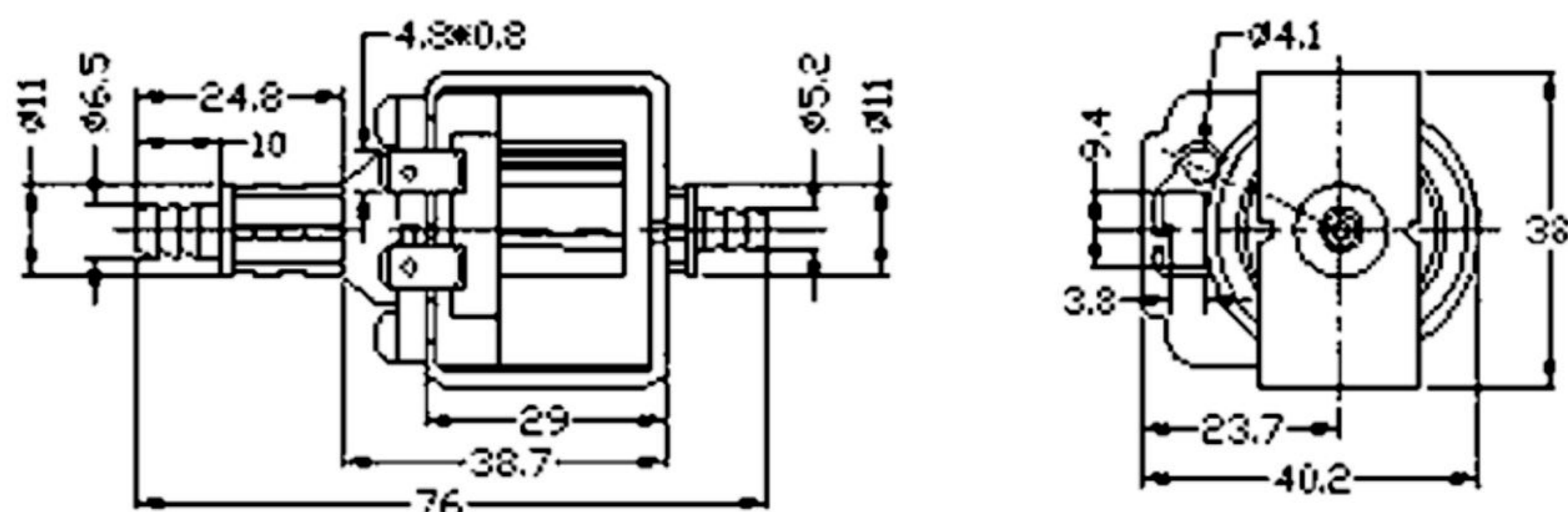
Model: CSS-04025



### DIMENSION

#### Mechanical Drawing & Dimension

Model: CSS-04025



Dimensions: millimeters