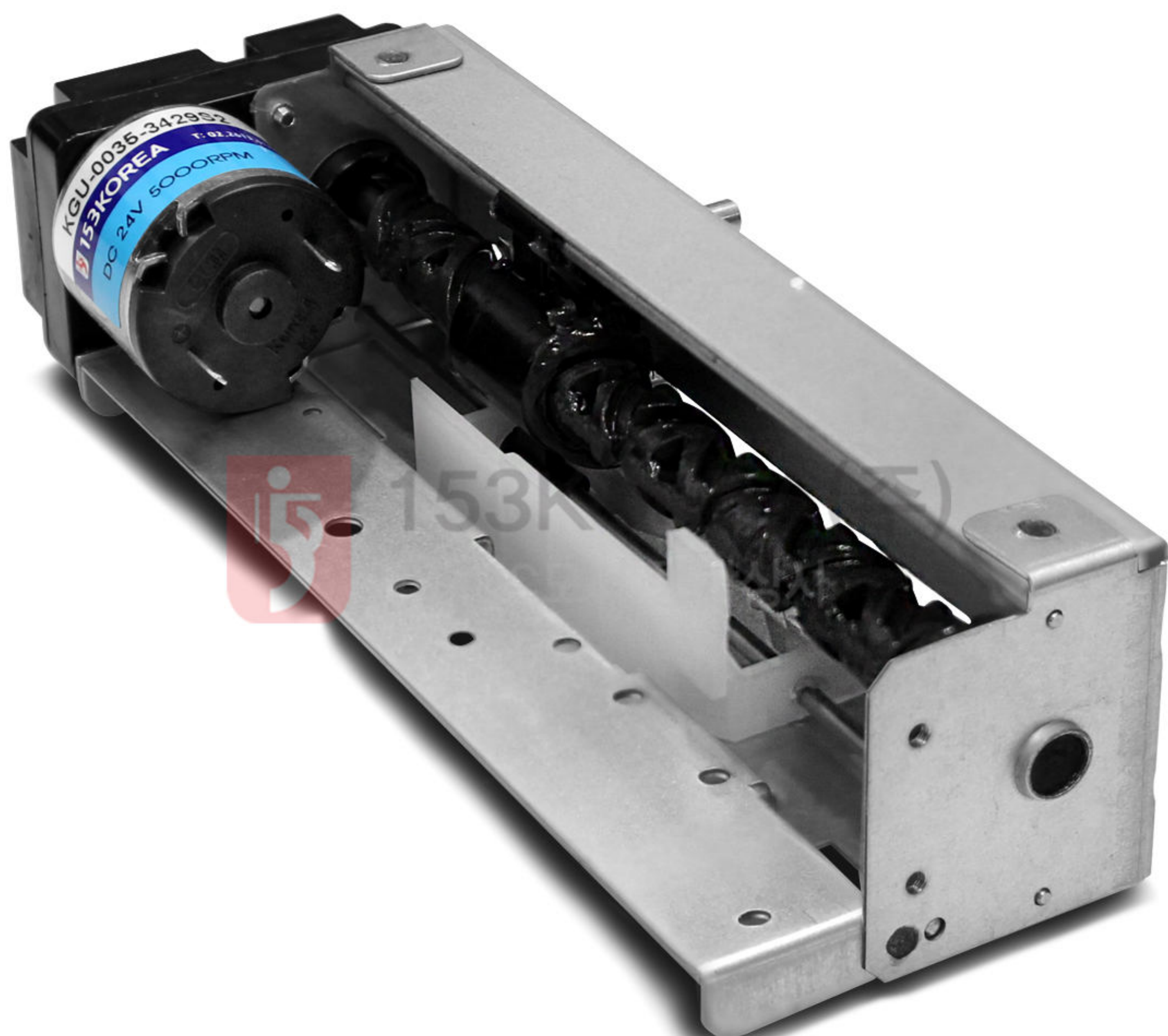
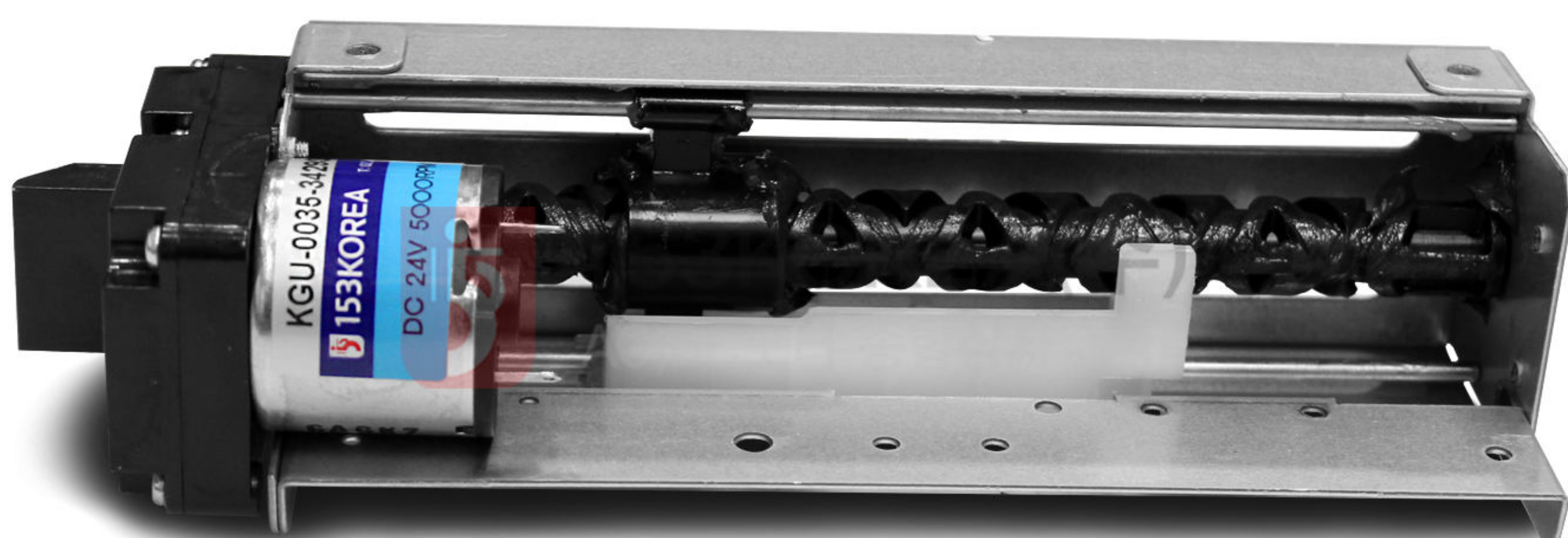


SMALL DC GEARED MOTOR KGU-3429



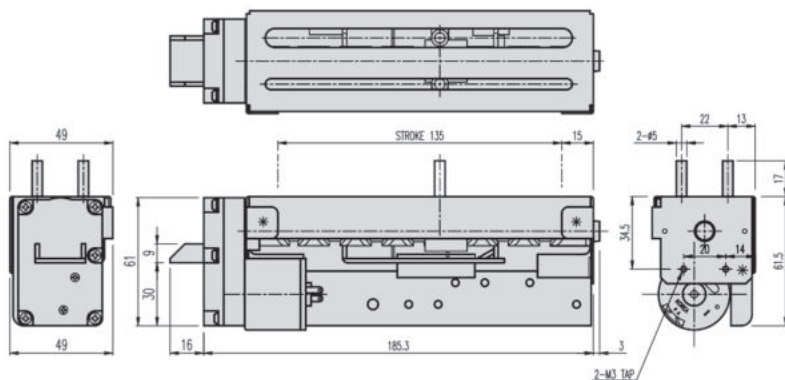
제품사진



KGU-TYPE

DIMENSIONS

KGU SERIES



AT MAXIMUM EFFICIENCY (KGU-0035-KD3429□□)

MODEL	PART	VOLTAGE (DC)	NO LOAD				AT MAX. EFF.				STALL	
			mA	rpm	L(mm)	CYCLE/min.	kgf-cm	mA	rpm	CYCLE/min.	kgf-cm	A
KD3429S1		12V	150	140	134	10	1	250	126	9	9.2	1.7
KD3429S2		24V	100	140	134	10	1	200	126	9	9.5	1
KD3429T1		12V	200	210	134	14	1	500	168	12	10.8	3.8
KD3429T2		24V	150	210	134	14	1	200	168	12	8.2	1.2
KD3429P1		12V	250	252	134	18	2	1000	210	15	8.5	3.8
KD3429P2		24V	180	252	134	18	1	300	210	15	9	2