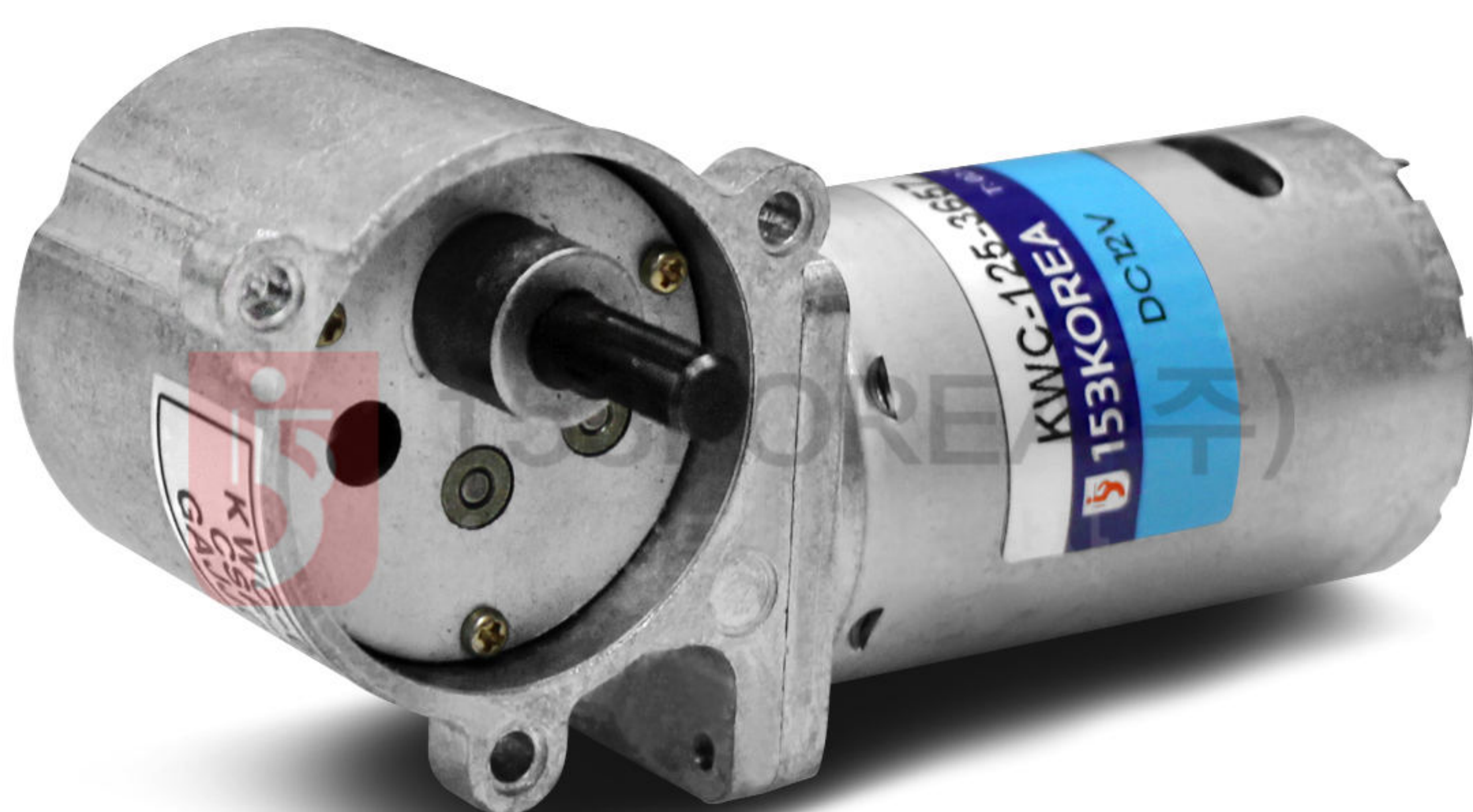
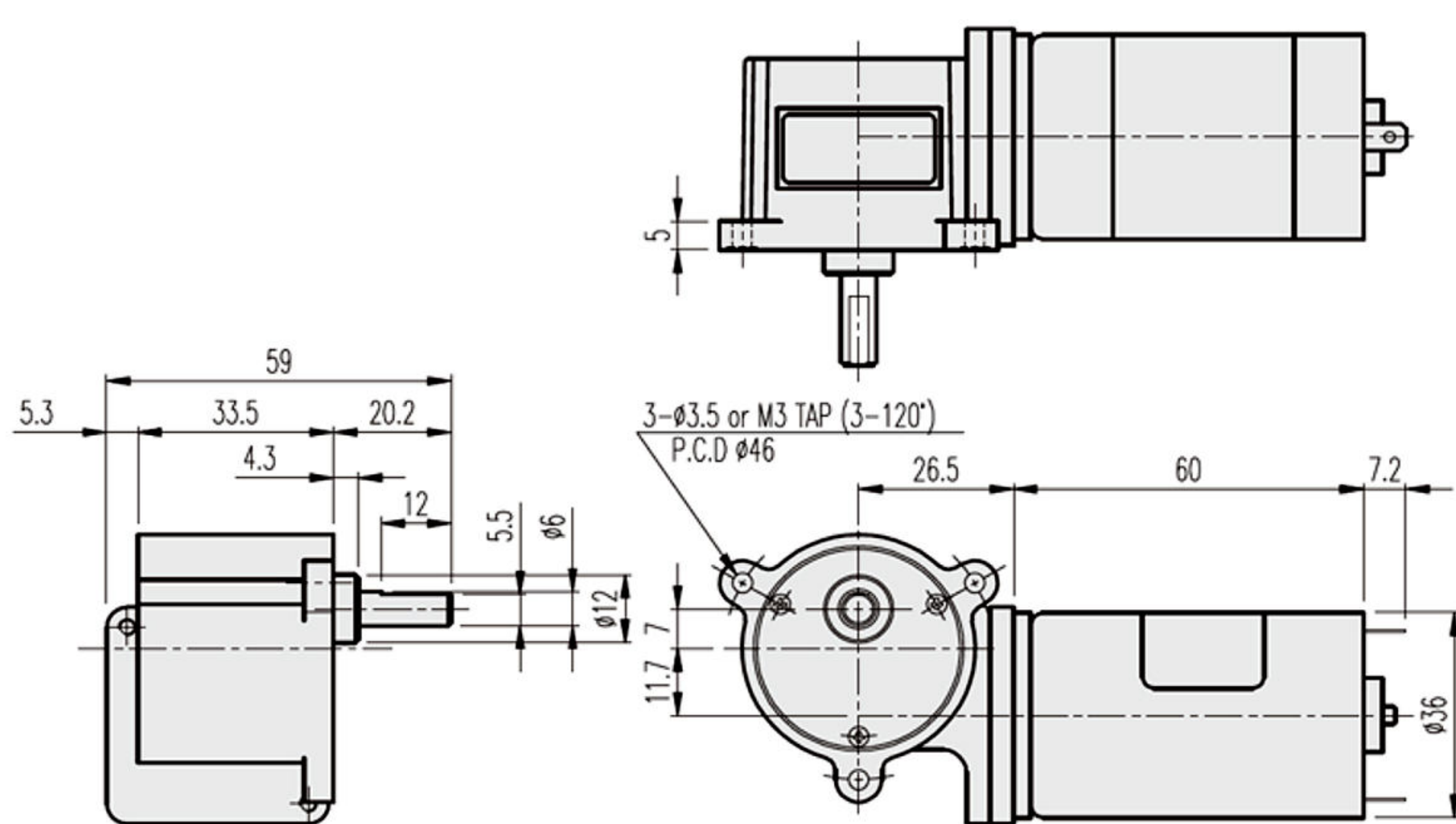


소형웜기어드모터 KWC-3657 SERIES



DIMENSIONS



BLDC MOTOR PERFORMANCE DATA

Model	VOLTAGE (DC)	NO LOAD		AT MAX. EFF.			STALL		WEIGHT (g)
		mA	rpm	gf-cm	A	rpm	A	kgf-cm	
ND3657U1	12V	300	6000	200	1.5	5000	10	1.6	200
ND3657U2	24V	150	6000	200	0.9	5000	5	1.6	

AT MAXIMUM EFFICIENCY

Model	ND3657U1		ND3657U2	
	DC 12V		DC 24V	
GEAR	rpm	kgf-cm	rpm	kgf-cm
1/25	200	1.1	220	1.1
1/30	183	1.3	183	1.3
1/50	110	2.2	110	2.2
1/60	91	2.3	91	2.3
1/75	73	2.9	73	2.9
1/100	55	3.9	55	3.9
1/125	44	4.9	44	4.9
1/150	36	5.8	36	5.8
1/200	27.5	6	27.5	6
1/250	22	6	22	6
1/300	18.3	6	18.3	6
1/375	14.6	6	14.6	6
1/500	11	6	11	6
1/600	9.1	6	9.1	6
1/750	7.3	6	7.3	6
1/900	6.1	6	6.1	6
1/1050	5.2	6	5.2	6
1/1350	4	6	4	6
1/1500	3.6	6	3.6	6

■ 색상의 감속비의 회전방향은 CW. [MOTOR의 (+)단자에 (+)전원 인가시]