

Thermal Protection

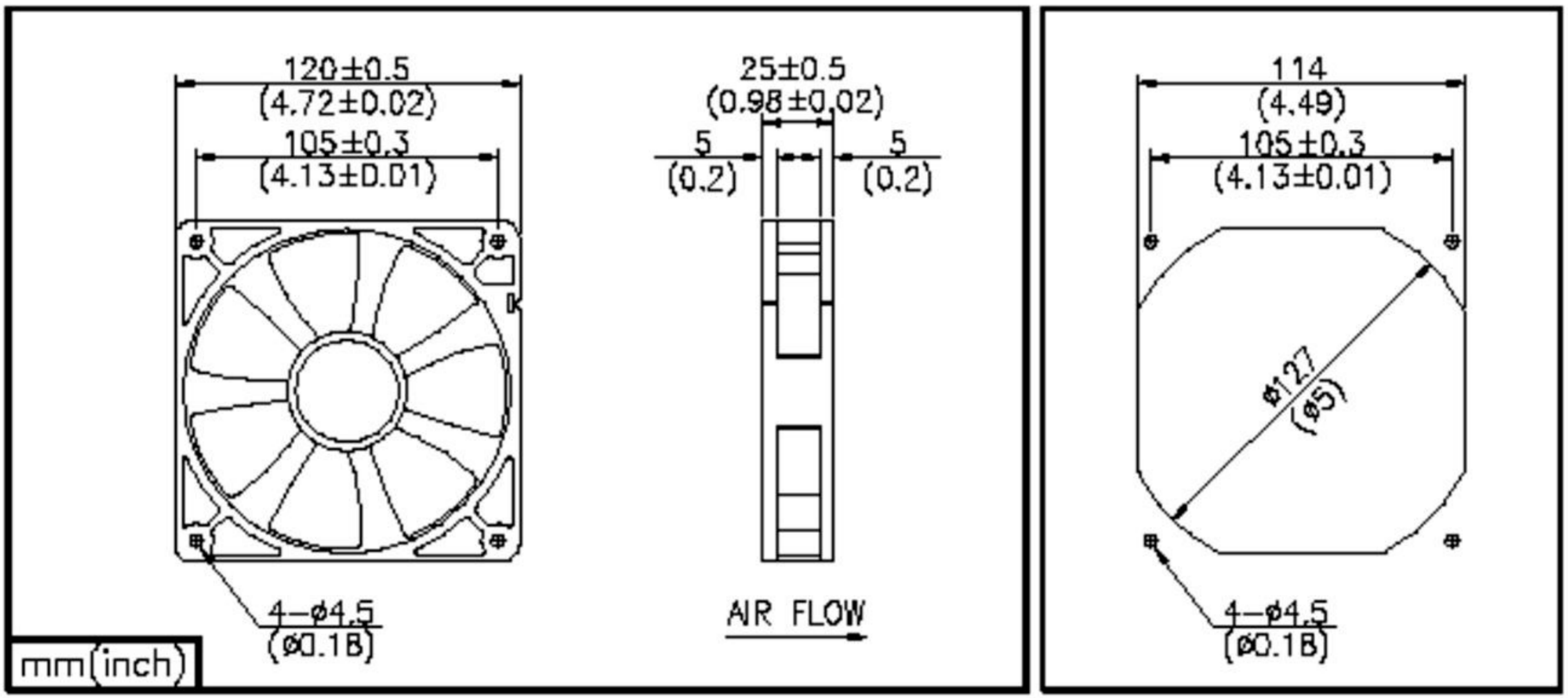
G 120mm square x 25mm



제품사진



외형도



SPECIFICATION

| Model | Voltage [VDC] | Start Voltage [VDC] | Current [mA] | Power [W] | Speed [rpm/±10%] | Air Flow [m3/min]/[CFM] | Static Pressure [mmH2O] / [inH2O] | Sound Noise [dBA] |
|-----------|---------------|---------------------|--------------|-----------|------------------|-------------------------|-----------------------------------|-------------------|
| G1225S12B | 12 | 8 | 130 | 1.56 | 1,500 | 1.56 / 55 | 1.73 / 0.07 | 25 |
| G1225L12B | 12 | 8 | 230 | 2.76 | 1,800 | 1.92 / 68 | 2.58 / 0.10 | 29 |
| G1225M12B | 12 | 8 | 350 | 4.2 | 2,100 | 2.29 / 81 | 3.51 / 0.14 | 33 |
| G1225H12B | 12 | 8 | 470 | 5.64 | 2,400 | 2.63 / 93 | 4.62 / 0.18 | 37 |
| G1225E12B | 12 | 8 | 630 | 7.56 | 2,700 | 2.97 / 105 | 5.84 / 0.23 | 41 |
| G1225S24B | 24 | 15 | 65 | 1.56 | 1,500 | 1.56 / 55 | 1.73 / 0.07 | 25 |
| G1225L24B | 24 | 15 | 120 | 2.88 | 1,800 | 1.92 / 68 | 2.58 / 0.10 | 29 |
| G1225M24B | 24 | 15 | 180 | 4.32 | 2,100 | 2.29 / 81 | 3.51 / 0.14 | 33 |
| G1225H24B | 24 | 15 | 260 | 6.24 | 2,400 | 2.63 / 93 | 4.62 / 0.18 | 37 |
| G1225E24B | 24 | 15 | 340 | 8.16 | 2,700 | 2.97 / 105 | 5.84 / 0.23 | 41 |