

Thermal Protection

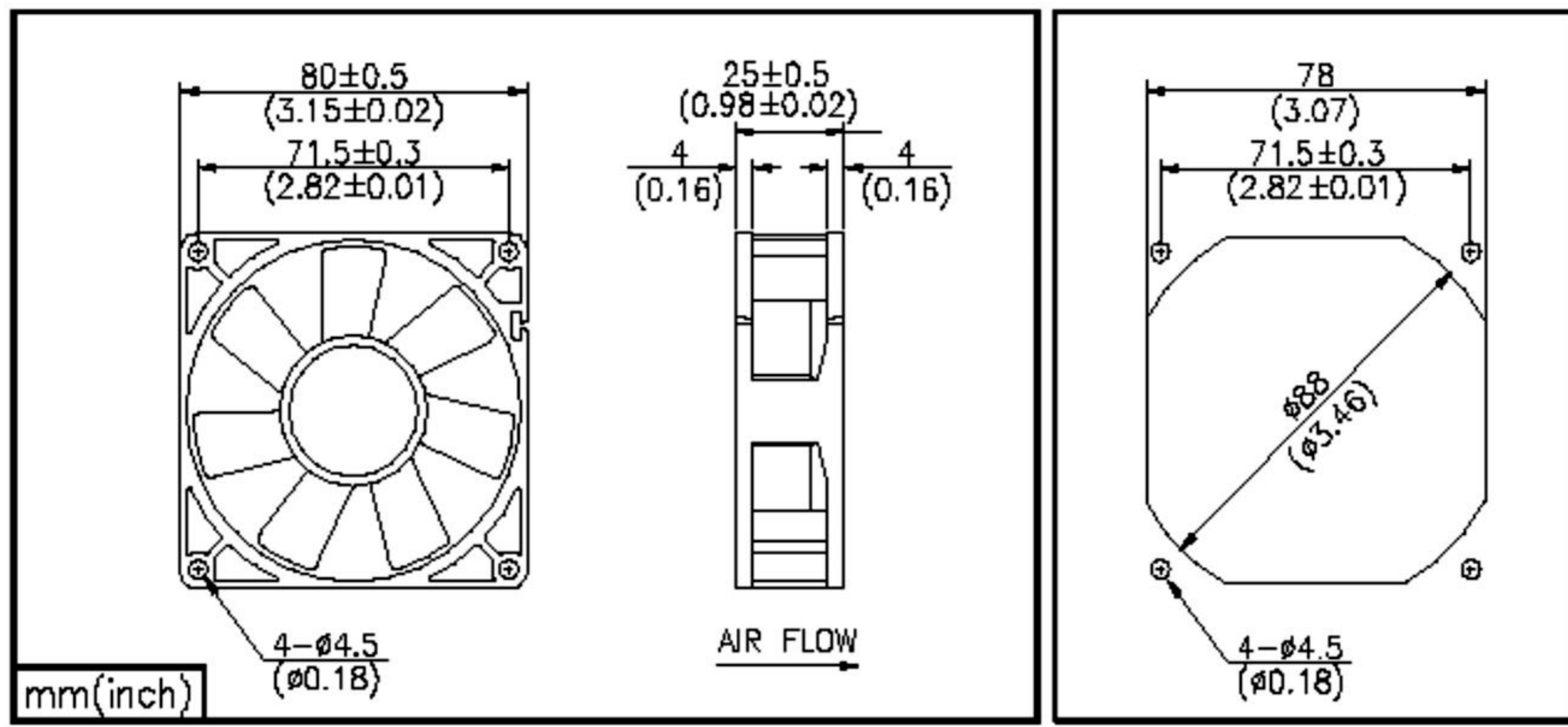
80mm square x 25mm



제품사진



외형도



SPECIFICATION

Model	Voltage [VDC]	Start Voltage [VDC]	Current [mA]	Power [W]	Speed [rpm+/-10%]	Air Flow [m3/min]/[CFM]	Static Pressure [mmH2O] / [inH2O]	Sound Noise [dBA]
F8025S05	5	4	150	0.75	1,500	0.72 / 25	1.15 / 0.05	20
F8025L05	5	4	200	1	1,800	0.83 / 29	1.74 / 0.07	22
F8025M05	5	4	290	1.45	2,100	0.99 / 35	2.24 / 0.09	26
F8025H05	5	4	420	2.1	2,400	1.10 / 39	3.00 / 0.12	29
F8025E05	5	4	800	4	2,800	1.30 / 46	3.95 / 0.16	32
F8025S12	12	8	75	0.9	1,500	0.72 / 25	1.15 / 0.05	20
F8025L12	12	8	90	1.08	1,800	0.83 / 29	1.74 / 0.07	22
F8025M12	12	8	120	1.44	2,100	0.99 / 35	2.24 / 0.09	26
F8025H12	12	8	145	1.74	2,400	1.10 / 39	3.00 / 0.12	29
F8025E12	12	8	240	2.88	2,800	1.30 / 46	3.95 / 0.16	32
F8025X12	12	8	480	5.76	3,200	1.45 / 51	4.57 / 0.18	35
F8025S24	24	15	50	1.2	1,500	0.72 / 25	1.15 / 0.05	20
F8025L24	24	15	60	1.44	1,800	0.83 / 29	1.74 / 0.07	22
F8025M24	24	15	80	1.92	2,100	0.99 / 35	2.24 / 0.09	26
F8025H24	24	15	90	2.16	2,400	1.10 / 39	3.00 / 0.12	29
F8025E24	24	15	140	3.36	2,800	1.30 / 46	3.95 / 0.16	32
F8025X24	24	15	260	6.24	3,200	1.45 / 51	4.57 / 0.18	35