

Thermal Protection

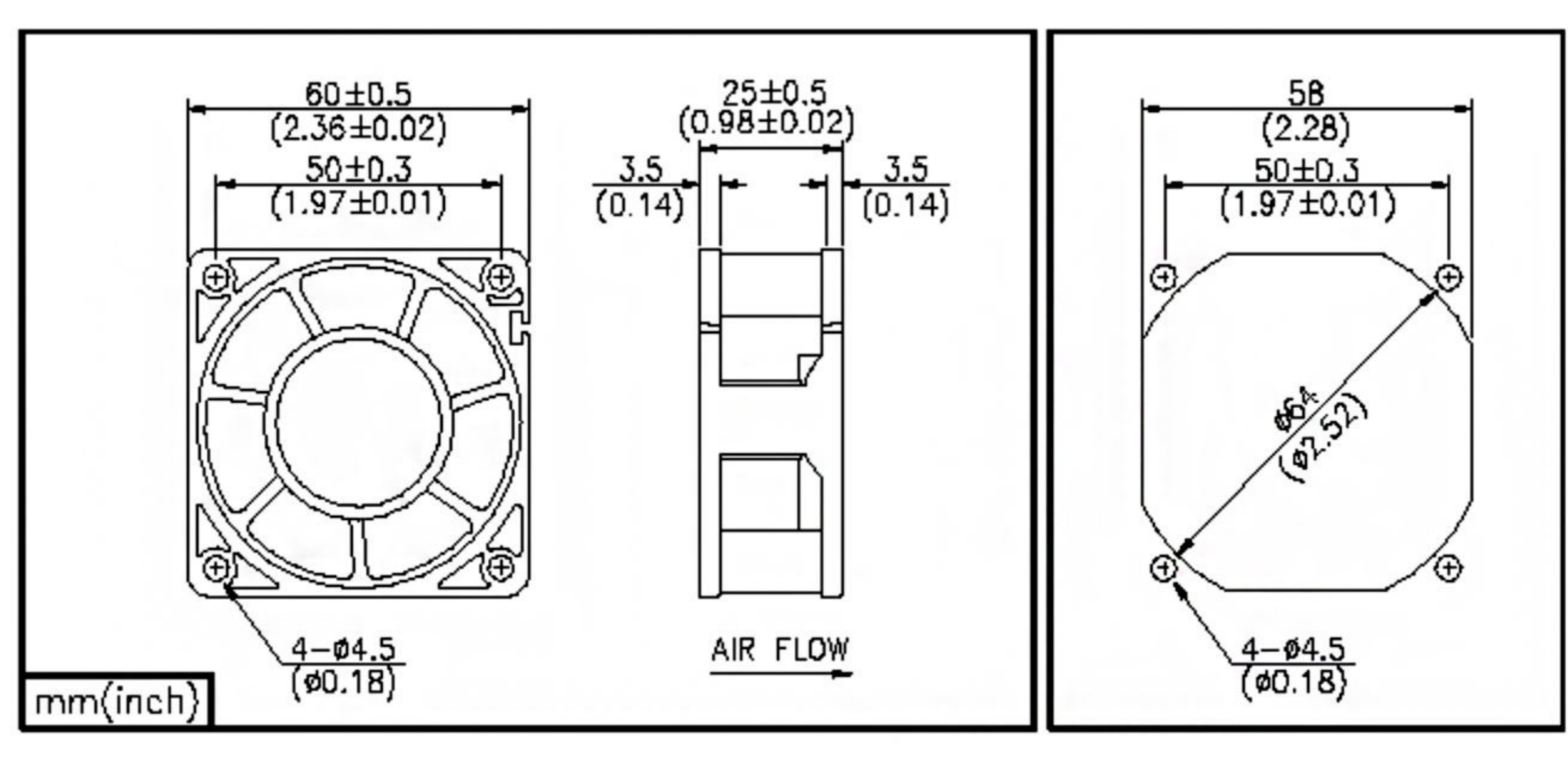
60mm square x 25mm(HP)



제품사진



외형도



SPECIFICATION

Model	Voltage [VDC]	Start Voltage [VDC]	Current [mA]	Power [W]	Speed [rpm/+/-10%]	Air Flow [m3/min]/[CFM]	Static Pressure [mmH2O] / [inH2O]	Sound Noise [dBA]
F6025S12-HP	12	8	75	0.9	2,400	0.34 / 12	2.37 / 0.09	22
F6025L12-HP	12	8	85	1.02	3,000	0.41 / 14	3.54 / 0.14	25
F6025M12-HP	12	8	95	1.14	3,600	0.49 / 17	5.02 / 0.20	28
F6025H12-HP	12	8	140	1.68	4,200	0.57 / 20	6.64 / 0.26	32
F6025E12-HP	12	8	230	2.76	5,000	0.68 / 24	8.05 / 0.32	37
F6025X12-HP	12	8	330	3.96	5,800	0.79 / 28	9.36 / 0.37	42
F6025S24-HP	24	15	40	0.96	2,400	0.34 / 12	2.37 / 0.09	22
F6025L24-HP	24	15	45	1.08	3,000	0.41 / 14	3.54 / 0.14	25
F6025M24-HP	24	15	55	1.32	3,600	0.49 / 17	5.02 / 0.20	28
F6025H24-HP	24	15	80	1.92	4,200	0.57 / 20	6.64 / 0.26	32
F6025E24-HP	24	15	125	3	5,000	0.68 / 24	8.05 / 0.32	37
F6025X24-HP	24	15	170	4.08	5,800	0.79 / 28	9.36 / 0.37	42