

PM Standard Type Motor

SP-42RD(SLIM)



APPLICATION

■ Printer, Facsimile, Finisher, Mini Printer, Copy Machine

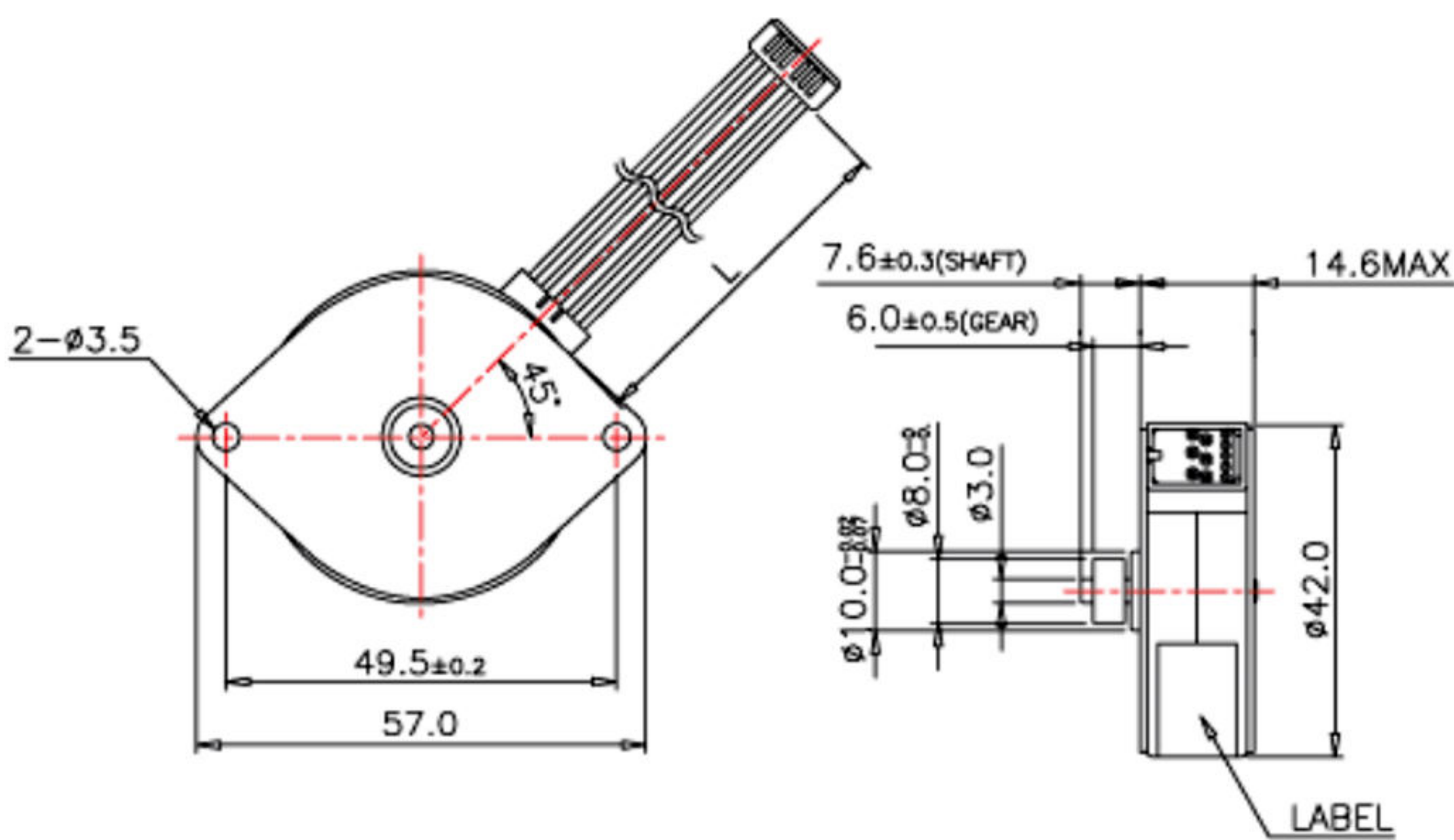
SPECIFICATION

Series	Step angle	Volt	Phase	Resistance	Drive Mode	Max Starting Pulse Rate(PPS)	Max Slewing Pulse Rate(PPS)
	degree	VDC		$\Omega \pm 7\%$			
010S	7.5	24	2	12	Unipolar	600	1800
020S	7.5	24	2	16	Unipolar	700	1400

Torque(gf.cm)			Pinion Spec			Lead Wire	Drive Method
Holding	Pull in	Pull out	Module	PCD	Z	L(mm)	
540	-	230(1200PPS)	0.5	$\Phi 9.5$	19	80	Constant Current
650	120(800PPS)	320(1000PPS)	0.4	$\Phi 5.6$	14	120	Constant Current

DIMENSION

(SP-42RD-010S)



CHARACTERISTICS

