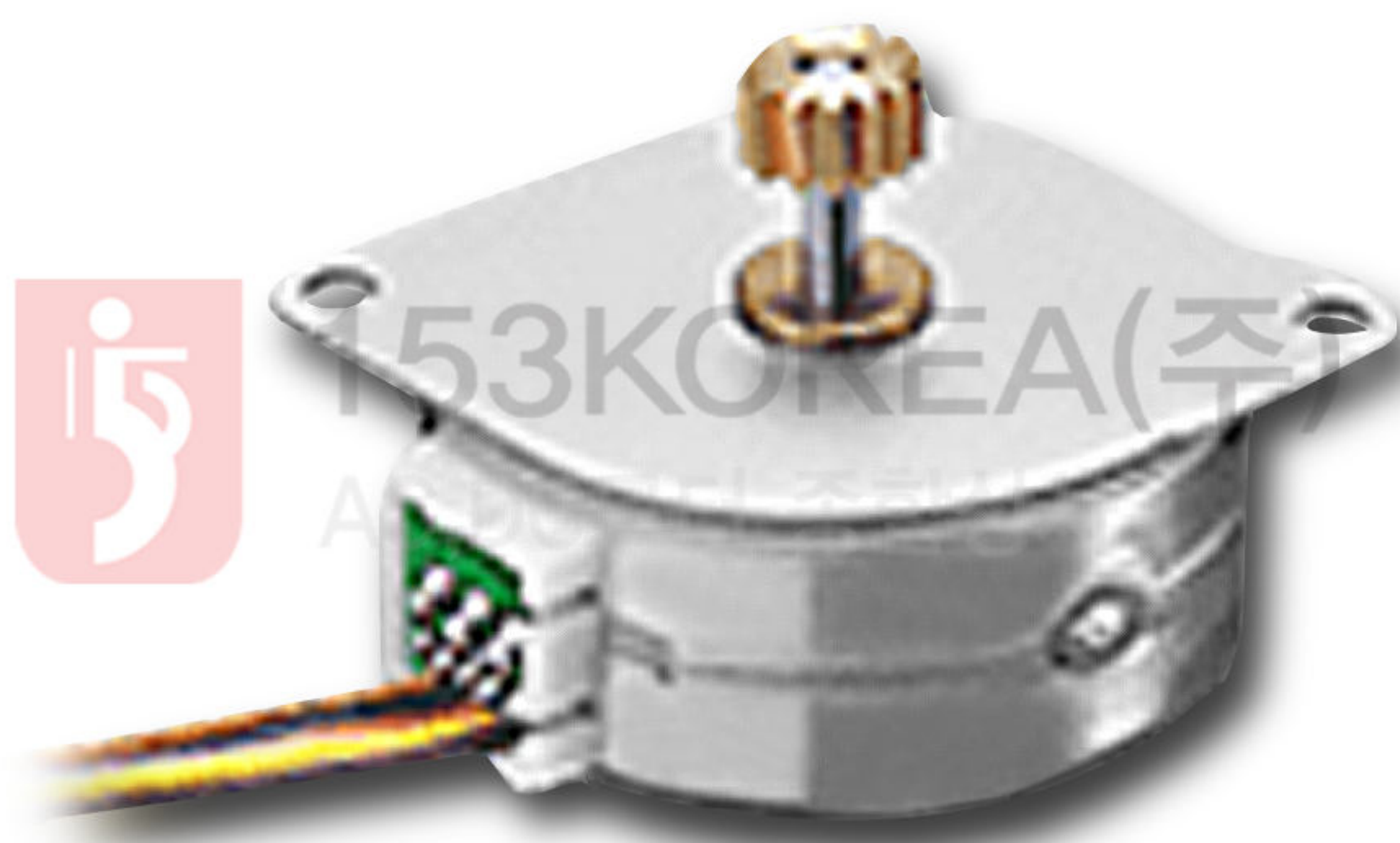


PM Standard Type Motor

SP-42RD (MIDDLE)



APPLICATION

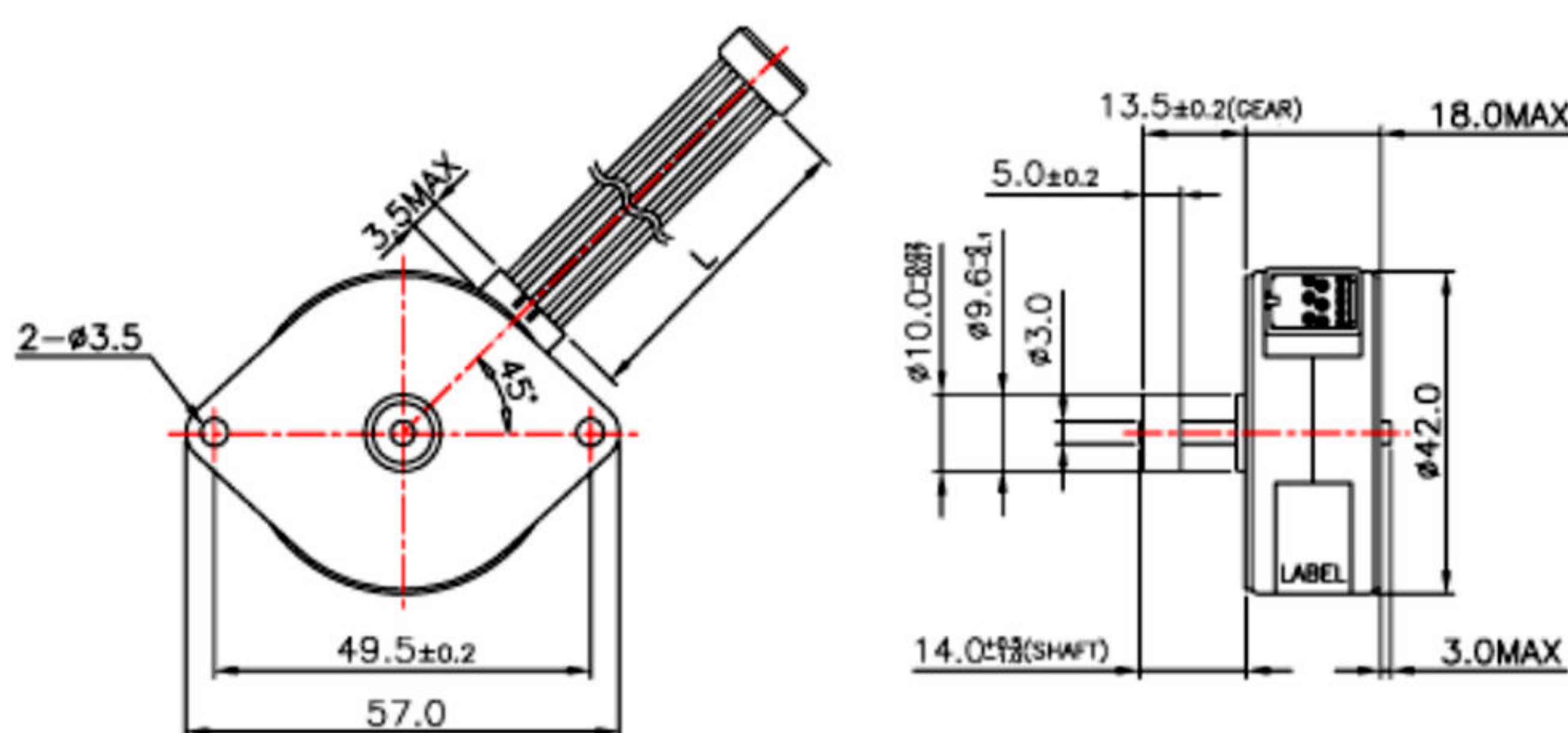
- Inkjet Printer

SPECIFICATION

Series	Step angle	Volt	Phase	Resistance	Drive Mode	Max Starting Pulse Rate(PPS)	Max Slewing Pulse Rate(PPS)
	degree	VDC		$\Omega \pm 7\%$			
100M	7.5	24	1-2	120	Unipolar	870	1200
110M	7.5	17	1-2	13	Unipolar	1000	1700

Torque(gf.cm)			Pinion Spec			Lead Wire	Drive Method
Holding	Pull in	Pull out	Module	PCD	Z	L(mm)	
610	480(1000PPS)	-	0.6	$\Phi 8.4$	14	275	Constant Voltage
710	-	480(200PPS)	0.4	$\Phi 6.4$	16	135	Constant Current

DIMENSION



CHARACTERSTICS

