

# PM Standard Type Motor

## SP-24RW



### APPLICATION

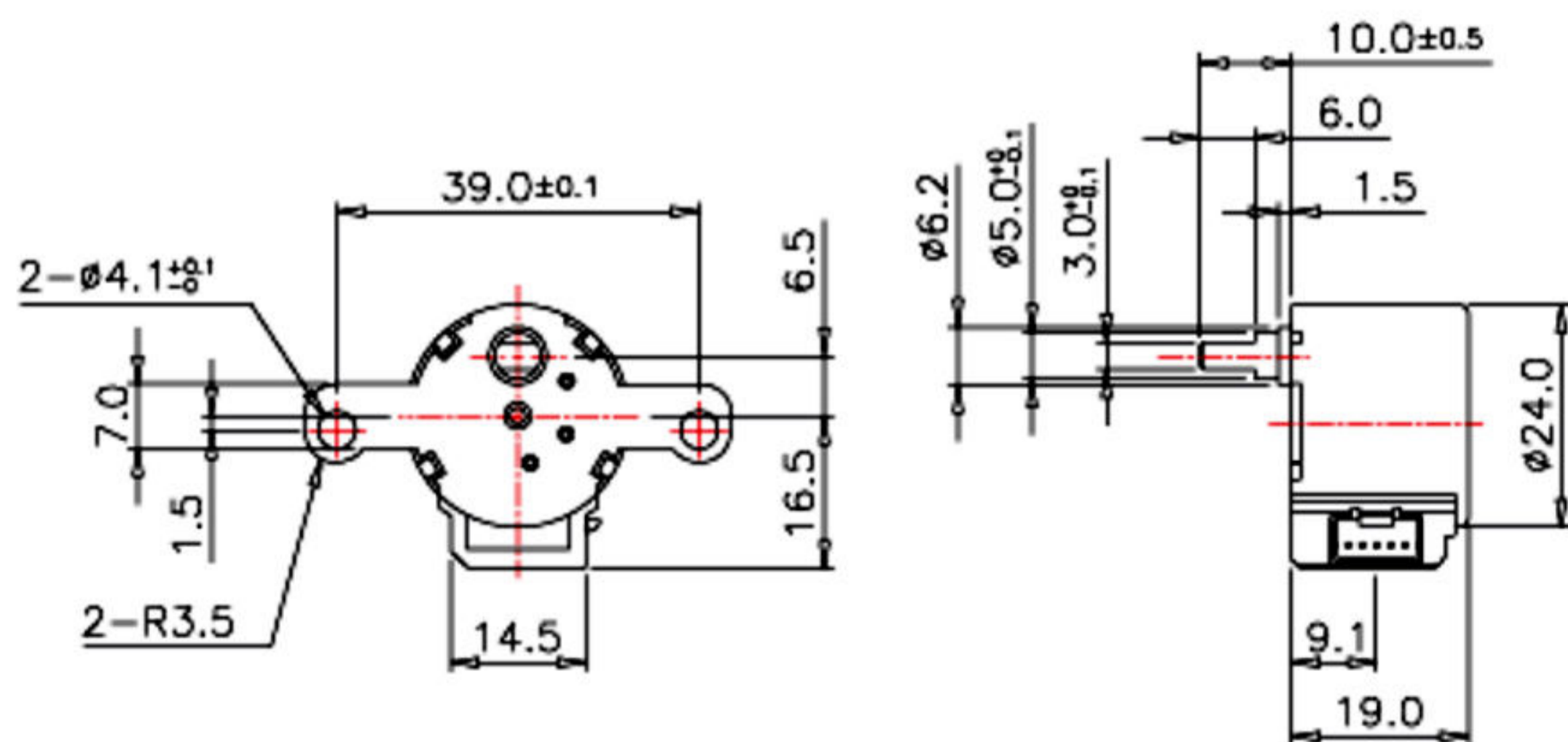
- 루버위치 제어용, 비데용, CC Camera

### SPECIFICATION

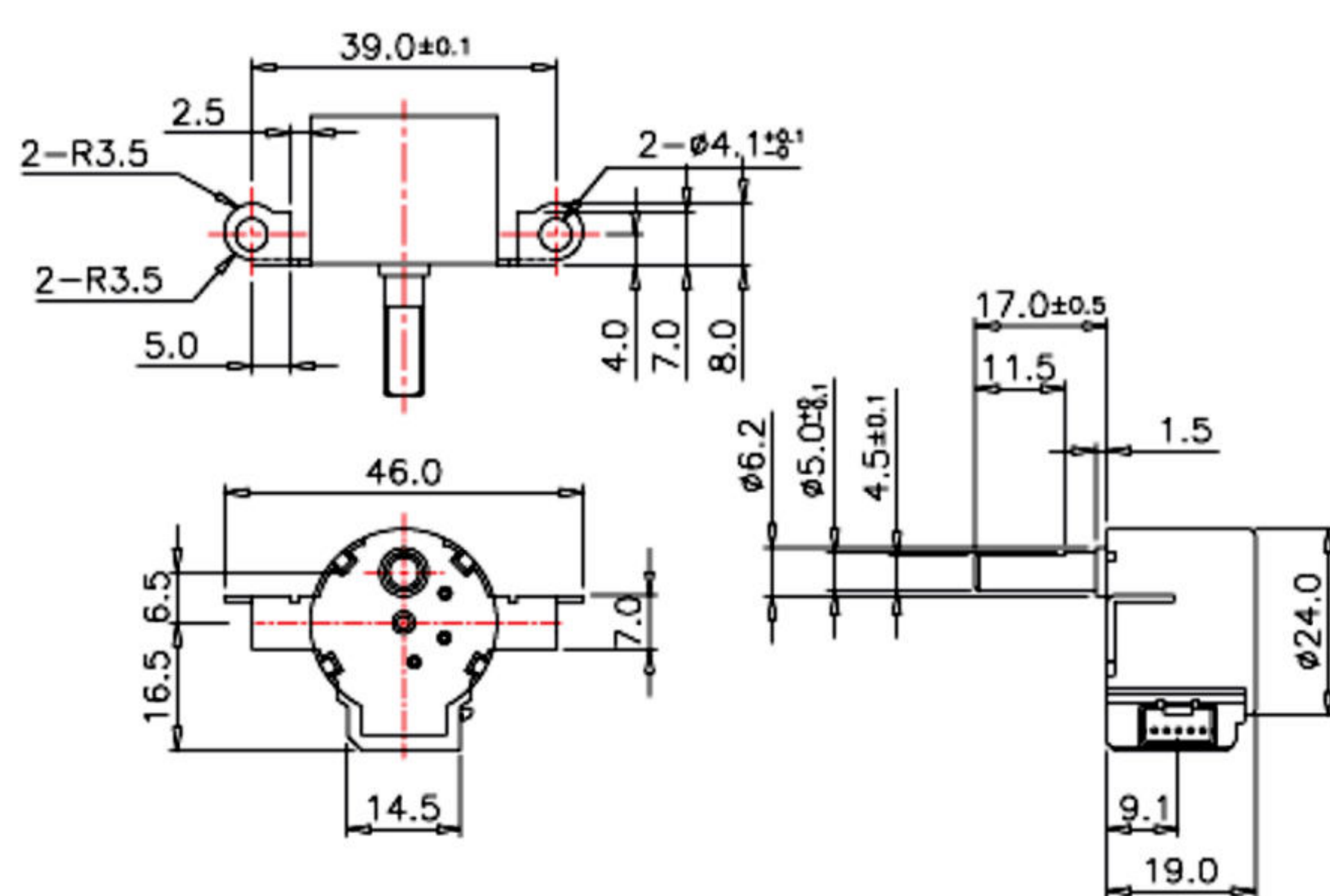
Series	Step angle	Volt VDC	Phase	Resistance	Drive Mode	Max Slewing Pulse Rate (PPS)
	degree			$\Omega \pm 7\%$		
011(B)	11.25°/64 (output shaft)	12	2	300 $\Omega$	Unipolar	800
012(0070)	5.625°/64 (output shaft)	12	1-2	190 $\Omega$	Unipolar	700
02(A)	5.625°/64 (output shaft)	12	1-2	300 $\Omega$	Unipolar	800
023(F)	5.625°/64 (output shaft)	12	1-2	300 $\Omega$	Unipolar	800
046	5.625°/64 (output shaft)	12	1-2	300 $\Omega$	Unipolar	800

Max Starting Pulse Rate (PPS)	Torque(gf·cm)			Lead Wire		
	Pull in	Friction	Detent	Housing	Contact	L(mm)
	gf·cm	gf·cm	gf·cm		Terminal	
600	600(100PPS)	700~3000	600	SMH250-05	YST-025	210
400	750(100PPS)	700~3000		NO Lead Wire		
600	600(100PPS)	700~3000		H6P-SHF-AA	SHF-002T-08SS	410
600	600(100PPS)	700~3000		NO Lead Wire		
600	600(100PPS)	700~3000		SMH250-05	YST-025	90

### DIMENSION



<GSP-24RW-02>



<GSP-24RW-022>