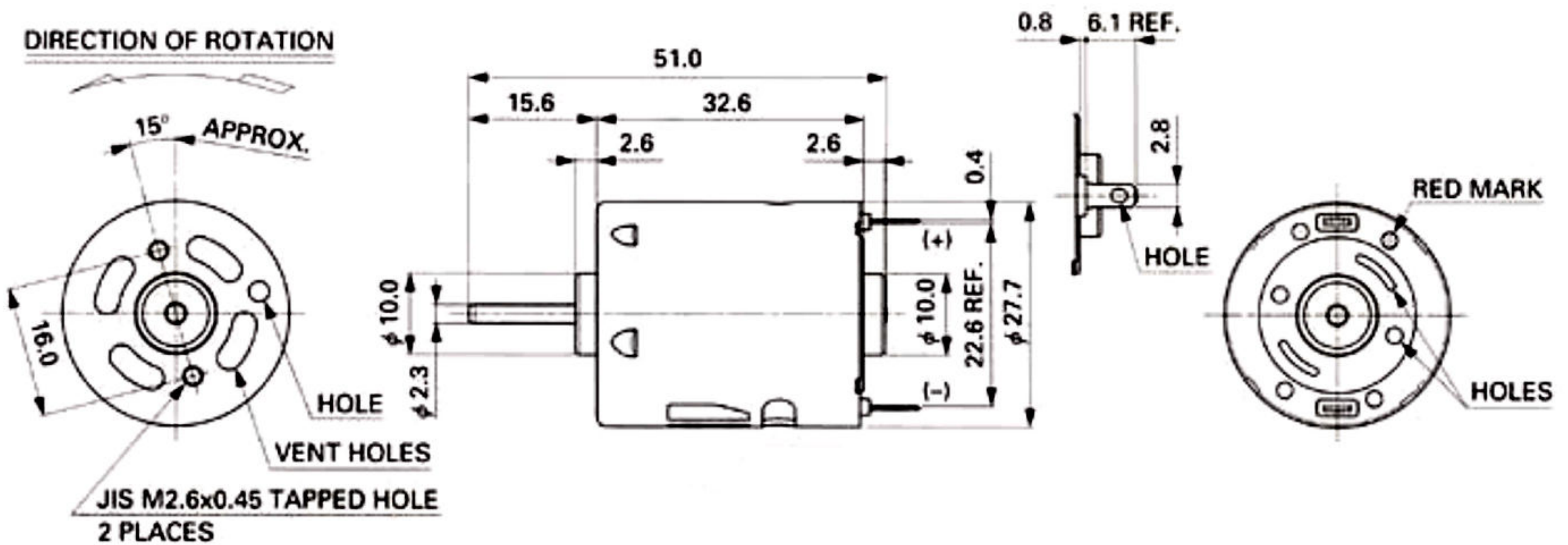


MABUCHI Small DC RS-380PH



DIMENSIONS



SPECIFICATION

MODEL	VOLTAGE		NO LOAD		AT MAXIMUM EFFICIENCY				STALL			
	OPERATING RANGE	NOMINAL	SPEED	CURRENT	SPEED	CURRENT	TORQUE	OUTPUT	TORQUE	CURRENT		
			r/min	A	r/min	A	g·cm	mN·m	W	g·cm	mN·m	A
RS-380PH-4045	3~9	6V CONST.(CCW+)	12700	0.48	10900	2.94	110	10.8	12.3	780	76.4	18.0
RS-380PH-3270	4.5~15	12V CONST.(CCW)	15200	0.34	13600	1.90	100	9.80	13.9	950	93.1	14.0