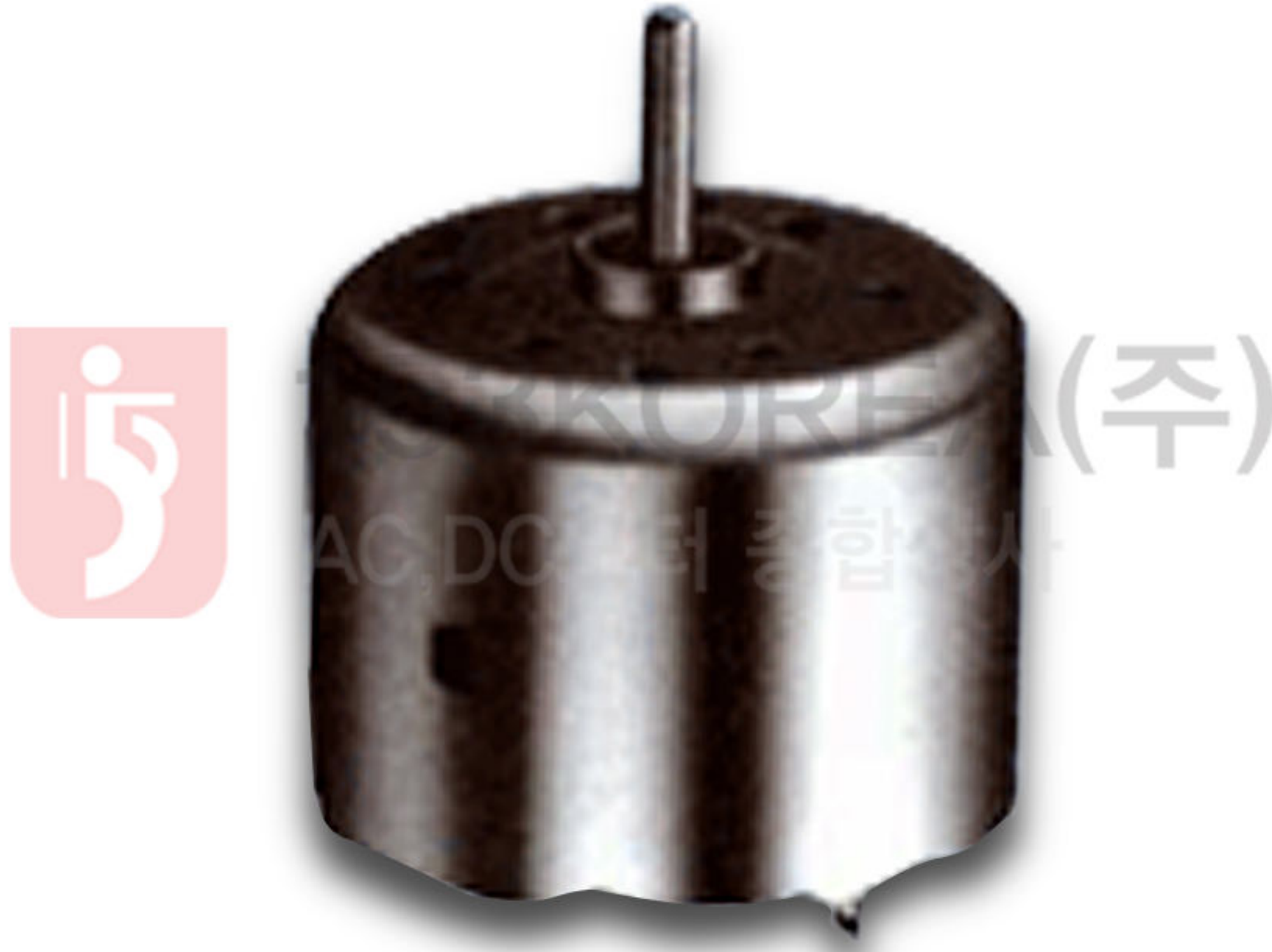
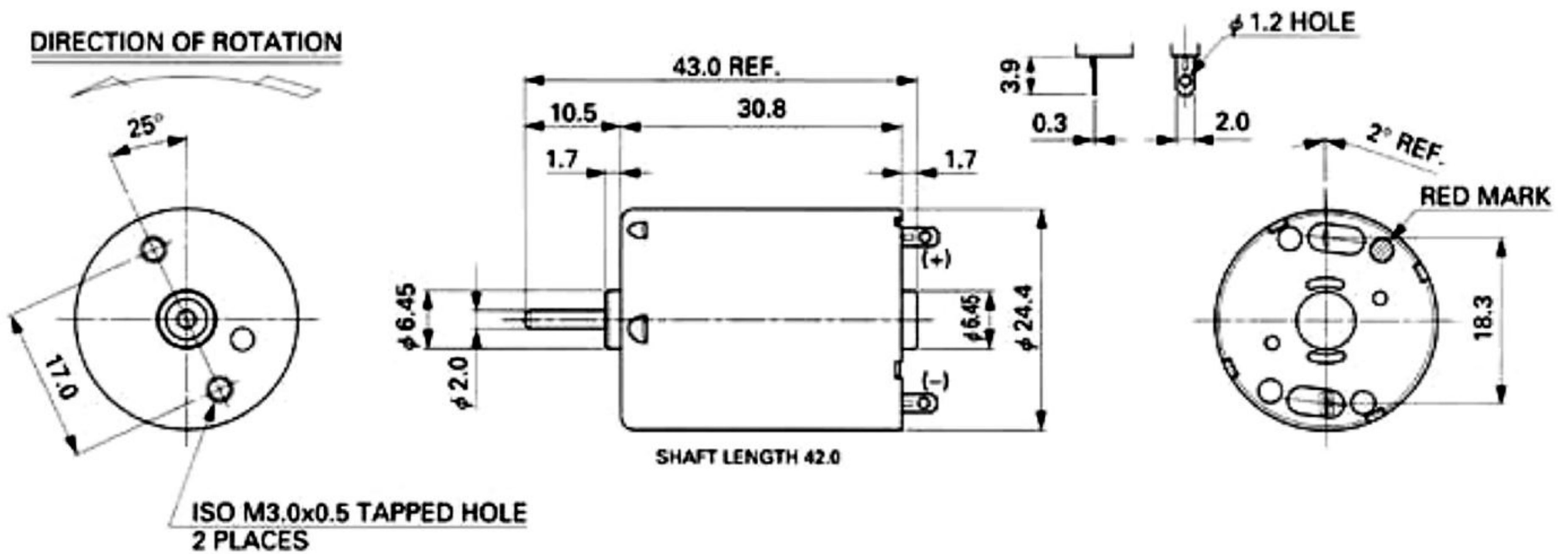


MABUCHI Small DC

RF-320CH



DIMENSIONS



SPECIFICATION

MODEL	VOLTAGE		NO LOAD		AT MAXIMUM EFFICIENCY					STALL		
	OPERATING RANGE	NOMINAL	SPEED	CURRENT	SPEED	CURRENT	TORQUE		OUTPUT	TORQUE		CURRENT
			r/min	A	r/min	A	g·cm	mN·m	W	g·cm	mN·m	A
RF-320CH-12400	1~5	3V CONSTANT	2700	0.019	2300	0.060	4.0	0.39	0.094	26	2.55	0.30
RF-320CH-11470	1.5~6.0	3V CONSTANT	2300	0.018	1800	0.050	4.0	0.39	0.074	22	2.16	0.20