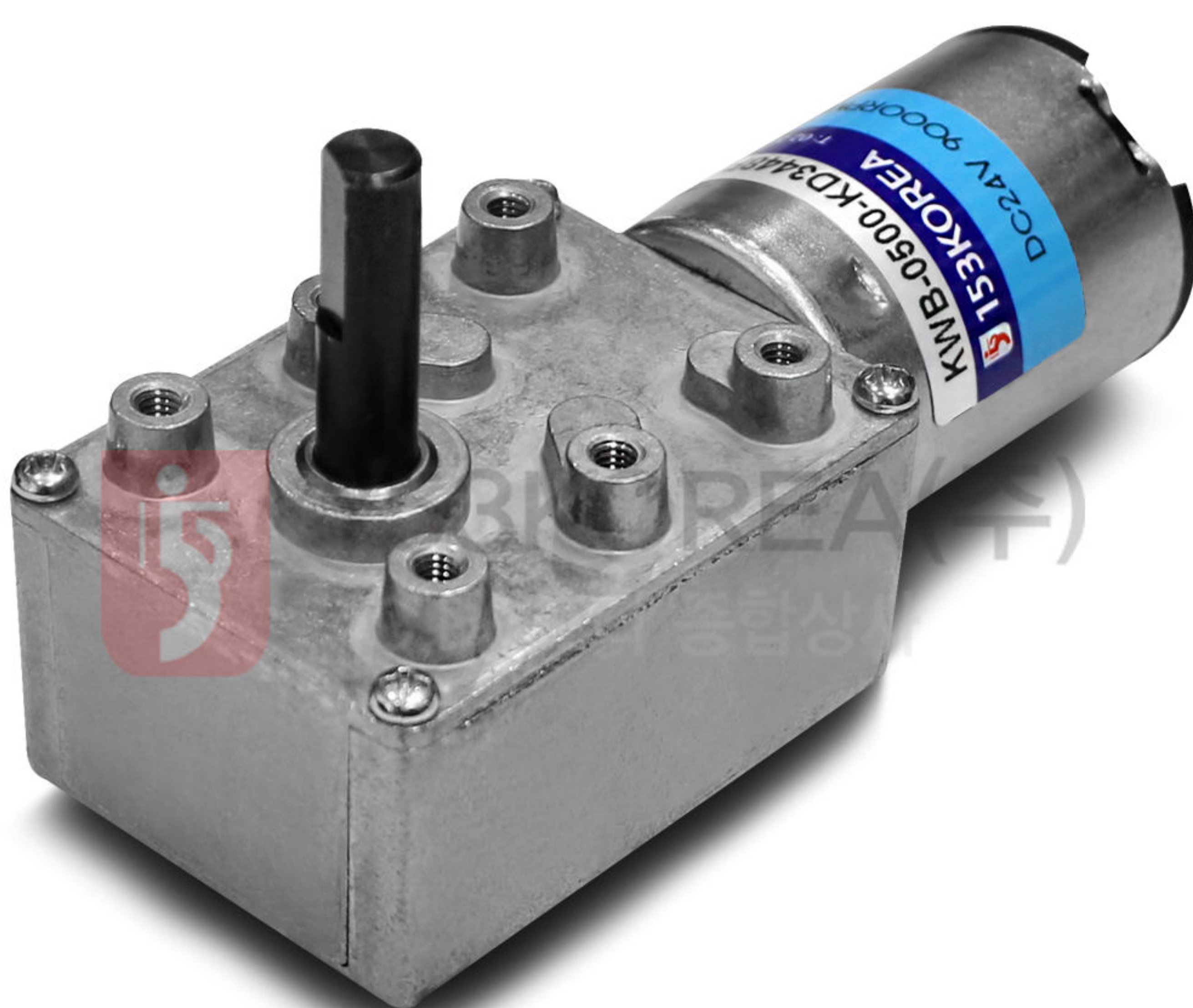


SMALL DC GEARED MOTOR

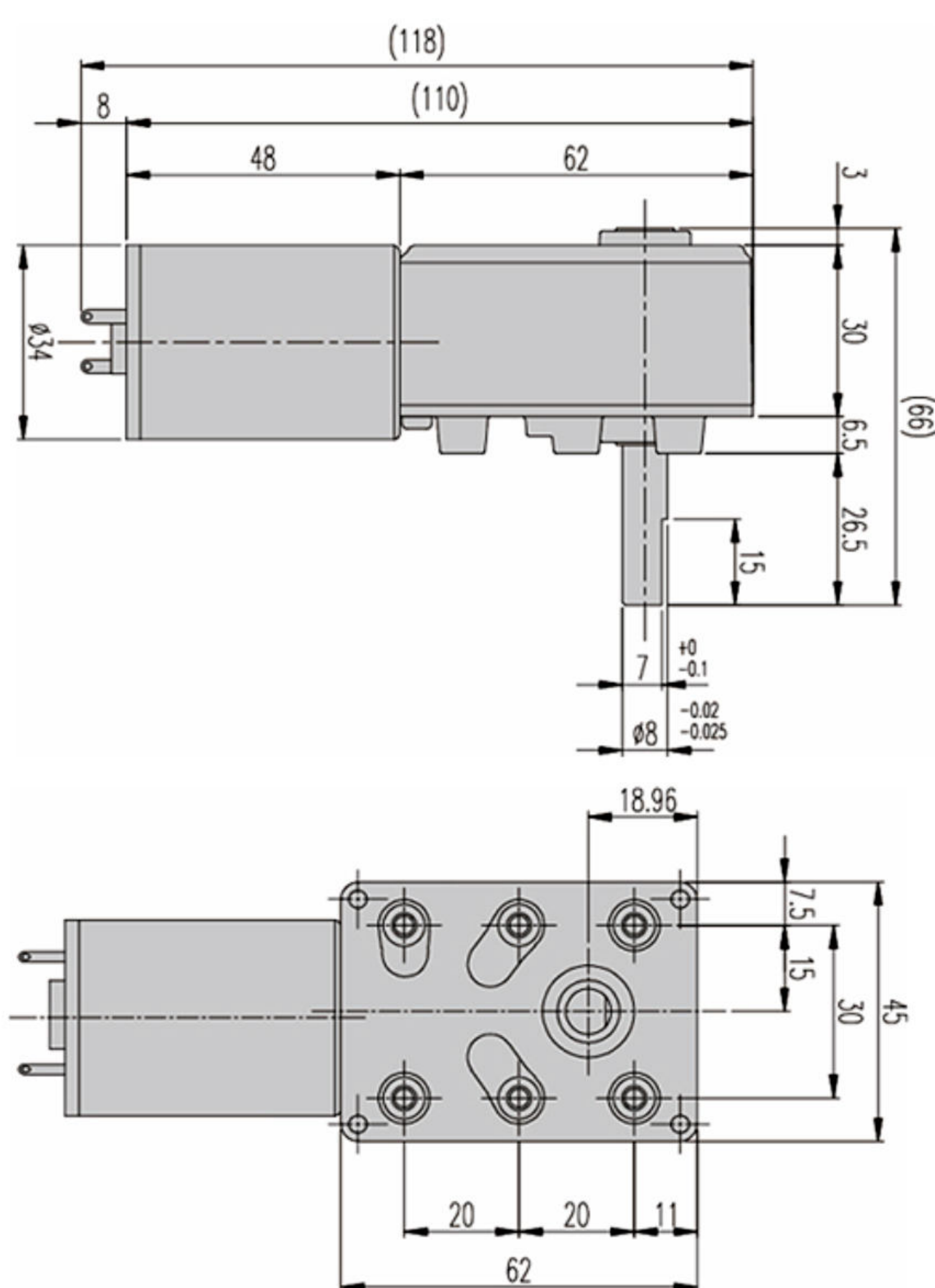
KWB-KD3448



제품사진



DIMENSIONS



AT MAXIMUM EFFICIENCY

Model	KD3449S1		KD3448S2		KD3448T1		KD3448T2		KD3448P1		KD3448P2	
	DC12V		DC24V		DC12V		DC24V		DC12V		DC24V	
GEAR	rpm	kgf-cm	rpm	kgf-cm	rpm	kgf-cm	rpm	kgf-cm	rpm	kgf-cm	rpm	kgf-cm
1/070	64	2	64	2	92.8	2	92.8	2	114	2	114	2
1/075	60	2.4	60	2.4	86	2.4	86	2.4	106.6	2.4	106.6	2.4
1/100	45	3.2	45	3.2	65	3.2	65	3.2	80	3.2	80	3.2
1/130	34.6	4	34.6	4	50	4	50	4	61.5	4.0	61.5	4
1/160	28	5.2	28	5.2	40.6	5.2	40.6	5.2	50	5.2	50	5.2
1/180	25.4	5.6	25.4	5.6	36.7	5.6	36.7	5.6	45	5.6	45	5.6
1/200	22.5	6.4	22.5	6.4	32.5	6.4	32.5	6.4	40	6.4	40	6.4
1/260	17.5	8.4	17.5	8.4	25.2	8.4	25.2	8.4	31	8.4	31	8.4
1/295	15	9.6	15	9.6	22	9.6	22	9.6	27	9.6	27	9.6
1/330	13.6	10.8	13.6	10.8	19.6	10.8	19.6	10.8	24.2	10.8	24.2	10.8
1/400	11.2	13	11.2	13	16.2	13	16.2	13	20	13	20	13
1/450	10	14.6	10	14.6	14.4	14.6	14.4	14.6	17.7	14.6	17.7	14.6
1/500	9	16	9	16	13	16	13	16	16	16	16	16
1/600	7.5	19.6	7.5	19.6	10.8	19.6	10.8	19.6	13.3	19.6	13.3	19.6
1/640	7	20.8	7	20.8	10	20.8	10	20.8	12.5	20.8	12.5	20.8
1/750	6	24.4	6	24.4	8.6	24.4	8.6	24.4	10.6	24.4	10.6	24.4
1/925	4.8	30	4.8	30	7	30	7	30	8.6	30	8.6	30
1/1000	4.5	32.6	4.5	32.6	6.5	32.6	6.5	32.6	8	32.6	8	32.6

■ 색상의 감속비는 MOTOR와 출력축의 회전방향이 같습니다.

■ 표준은 F-TYPE 입니다.

■ R타입 가능합니다.