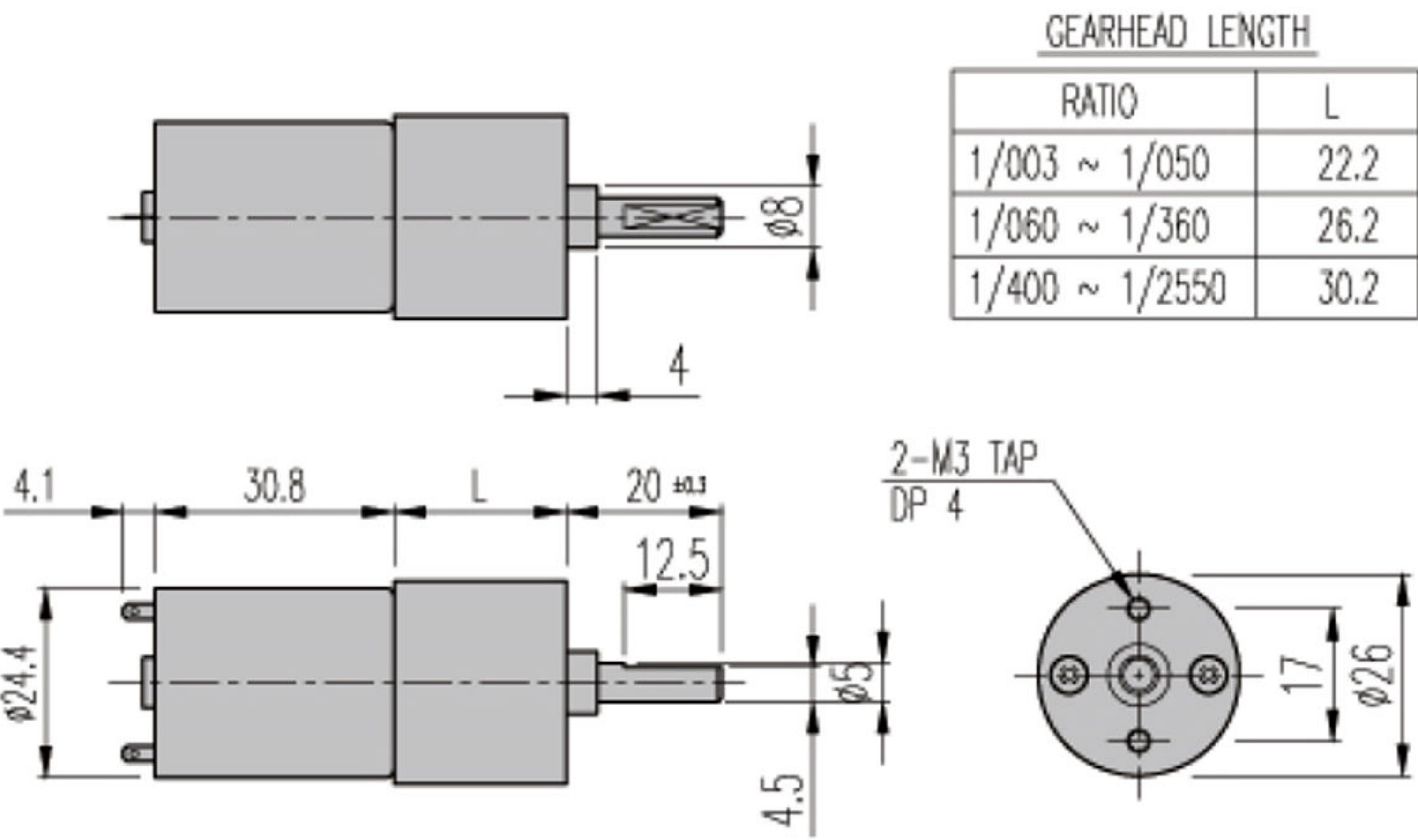


SMALL DC GEARED MOTOR K26



DIMENSIONS



MOTOR SPECIFICATION

MOTOR		NO LOAD		AT MAX. EFF.			STALL	
MODEL	VOLRAGE	rpm	mA	rpm	gf-cm	mA	gf-cm	A
ED1-2531-065	DC 12V	6500	60	5900	17	190	200	1.4
ED2-2531-065	DC 24V	6600	30	5750	20	100	160	0.55

AT MAXIMUM EFFICIENCY

Model	ED1-2531-065		ED2-2531-065	
	SPEED(rpm)	TORQ.(kgf-cm)	SPEED(rpm)	TORQ.(kgf-cm)
1/3	1967	0.04	1917	0.05
1/5	1180	0.07	1150	0.08
1/10	590	0.12	575	0.14
1/15	393	0.18	383	0.21
1/20	295	0.22	288	0.26
1/25	236	0.28	230	0.33
1/30	197	0.33	192	0.39
1/40	148	0.44	144	0.52
1/50	118	0.55	115	0.66
1/60	98	0.6	96	0.7
1/70	84	0.7	82	0.8
1/80	74	0.8	72	0.9
1/90	66	0.9	64	1
1/100	59	1	58	1.2
1/120	49	1.2	48	1.4
1/135	44	1.3	43	1.5
1/150	39	1.4	38	1.6
1/175	34	1.6	33	1.9
1/200	29.5	1.8	29	2.1
1/240	24.6	2.2	24	2.6
1/270	21.9	2.4	21	2.8
1/300	19.7	2.7	19.2	3
1/360	16.4	3	16	3
1/400	14.8	3	14.4	3
1/450	13.1	3	12.8	3
1/500	11.8	3	11.5	3
1/570	10.4	3	10.1	3
1/630	9.4	3	9.1	3
1/700	8.4	3	8.2	3
1/770	7.7	3	7.5	3
1/860	6.9	3	6.7	3
1/960	6.1	3	6	3
1/1050	5.6	3	5.5	3
1/1150	5.1	3	5	3
1/1260	4.7	3	4.6	3
1/1400	4.2	3	4.1	3
1/1520	3.9	3	3.8	3
1/1680	3.5	3	3.4	3
1/1850	3.2	3	3.1	3
1/2050	2.9	3	2.8	3
1/2250	2.6	3	2.6	3
1/2550	2.3	3	2.3	3

■ 색상의 감속비는 MOTOR와 출력축의 회전방향이 같습니다.

■ 위의 DATA 중 AC 220V 60Hz-6W MOTOR는 당사의 □60각 AC INDUCTION MOTOR를 적용한 경우입니다.