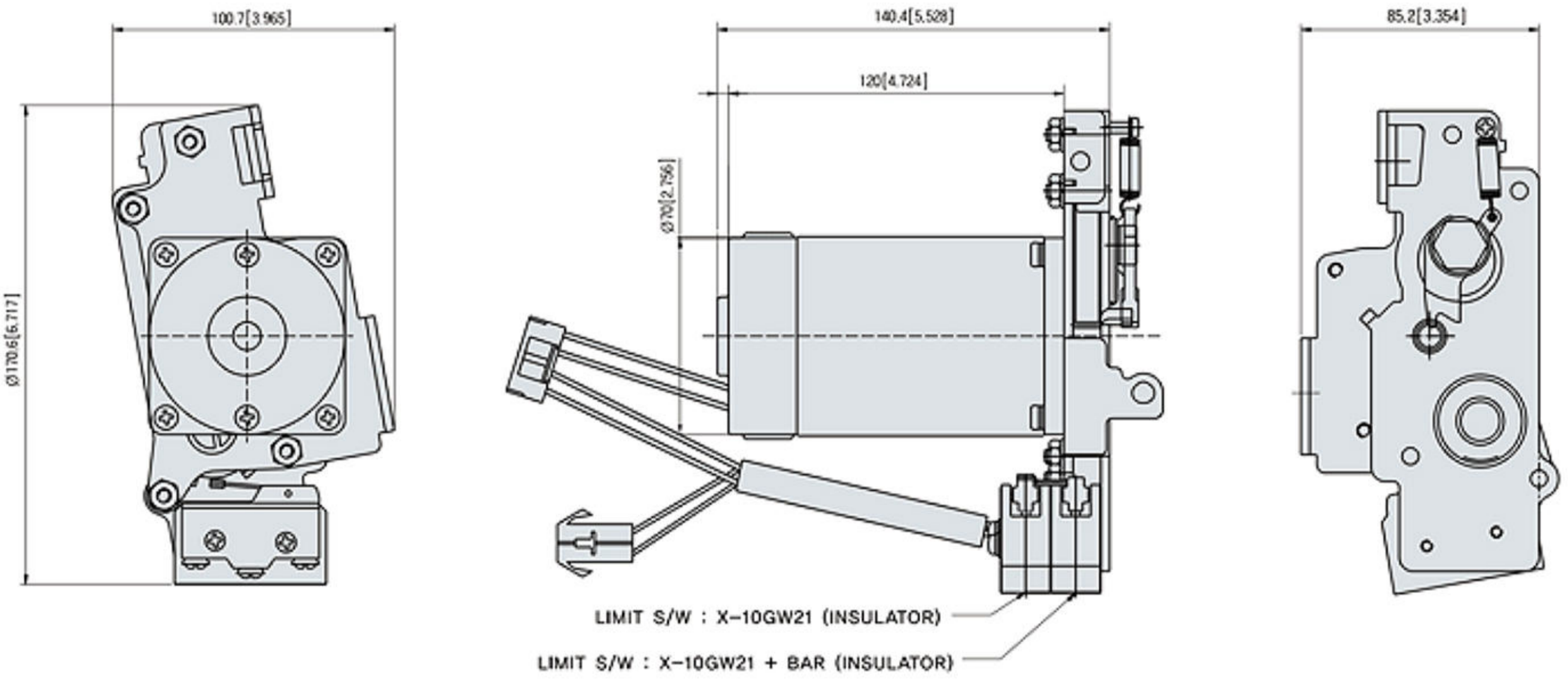


DC GEARED TYPE HEAVY-ELECTRIC



DIMENSIONS



MOTOR SPECIFICATION

TYPE	VOLTAGE	OUTPUT	NO LOAD		AT RATED LOAD			RUN DUTY	WEIGHT (Only motor)
			REVOLUTION	CURRENT	REVOLUTION	TORQUE	CURRENT		
	(V)	(W)	(RPM)	(A)	(RPM)	(kgf · cm)	(a)	(Hr)	(Kg)
7D200-110GH(OB51)	110	220	4000	MAX.0.3	3250	6.0	2.4	2000	2.4
7D225-125GH(OB52)	125	225	1500	MAX.0.3	3650	6.0	2.4	2000	2.4
7D200-220GH(OB53)	220	200	4000	MAX.0.2	3250	6.0	1.2	2000	2.4
7D150-24GH(OB54)	24	150	3800	MAX.1.0	2450	6.0	11.0	2000	2.4
7D175-48GH(OB55)	48	175	3850	MAX.0.5	2850	6.0	5.5	2000	2.4