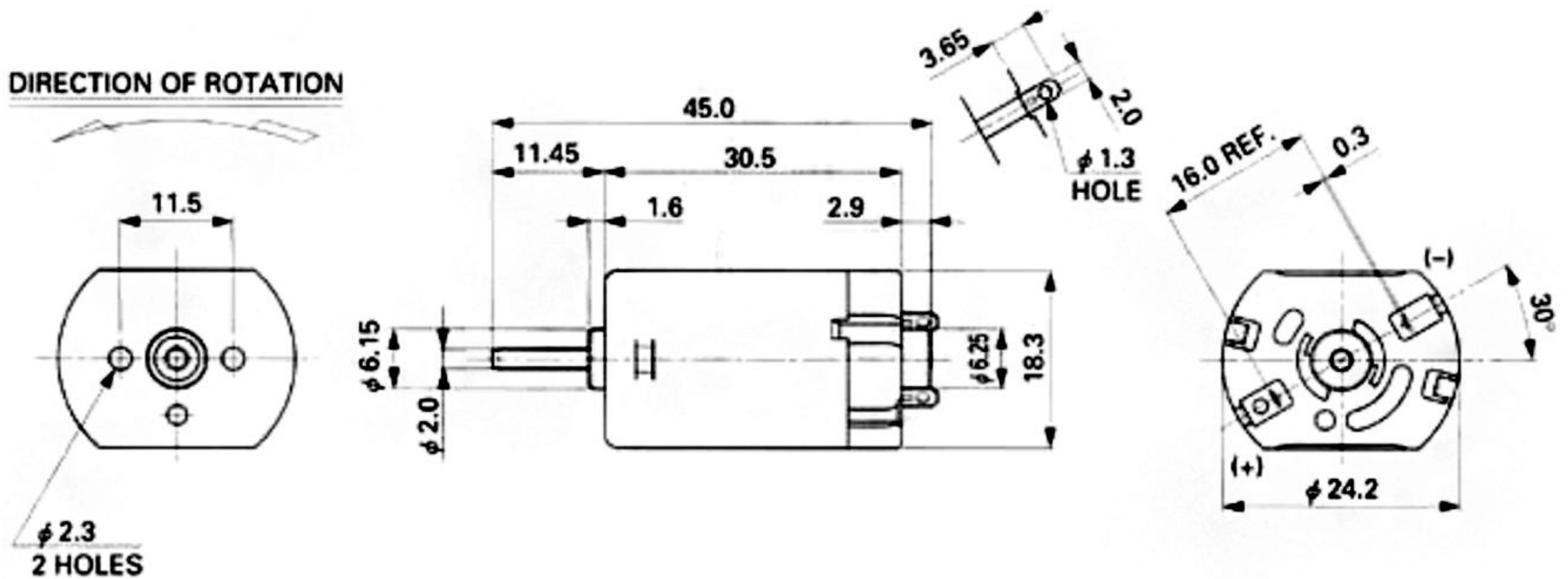


MABUCHI Small DC FK-280PA/SA



DIMENSIONS



WEIGHT: 36g (APPROX)

SPECIFICATION

MODEL	VOLTAGE		NO LOAD		AT MAXIMUM EFFICIENCY					STALL		
	OPERATING RANGE	NOMINAL	SPEED	CURRENT	SPEED	CURRENT	TORQUE		OUTPUT	TORQUE		CURRENT
			r/min	A	r/min	A	g·cm	mN·m	W	g·cm	mN·m	A
FK-280PA-20150	10~15	12V CONSTANT	12000	0.10	10300	0.70	45	4.41	4.75	325	31.9	3.80
FK-280PA-18165	10~15	12V CONSTANT	10800	0.090	9300	0.54	42	4.12	4.01	295	28.9	3.25
FK-280SA-18165	10~15	12V CONSTANT	12000	0.090	10200	0.54	36	3.53	3.77	255	25.0	3.25
FK-280SA-20150	10~15	12V CONSTANT	13500	0.15	12000	0.70	40	3.92	4.92	290	28.4	4.20