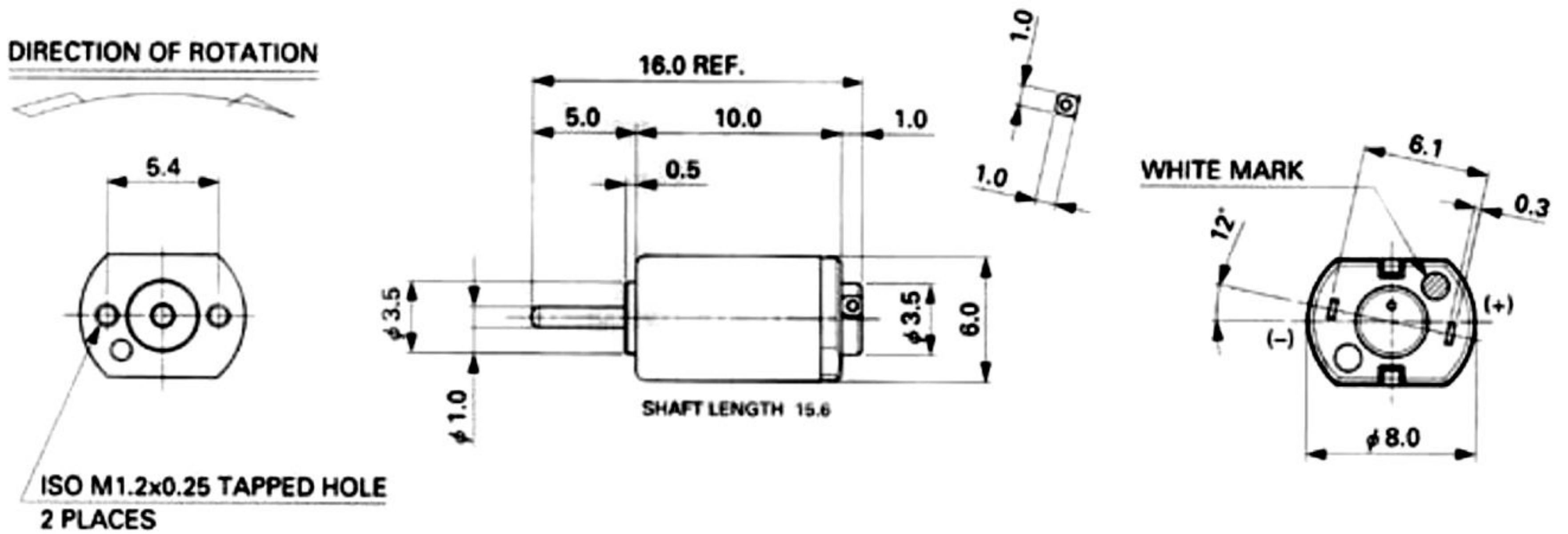


MABUCHI Small DC

FF-K10WA



DIMENSIONS



SPECIFICATION

MODEL	VOLTAGE		NO LOAD		AT MAXIMUM EFFICIENCY				STALL			
	OPERATING RANGE	NOMINAL	SPEED	CURRENT	SPEED	CURRENT	TORQUE		OUTPUT	TORQUE		CURRENT
			r/min	A	r/min	A	g·cm	mN·m	W	g·cm	mN·m	A
FF-K10WA-5Z215	2.5~3.5	3V CONSTANT	20500	0.057	13800	0.12	0.6	0.06	0.085	1.9	0.19	0.25