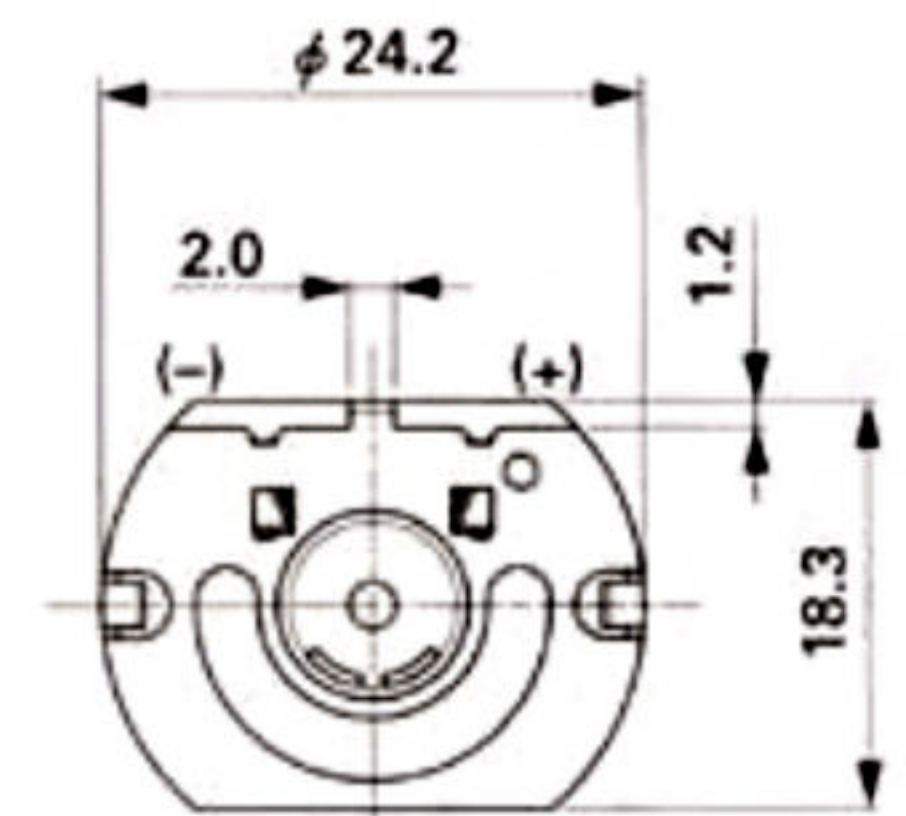
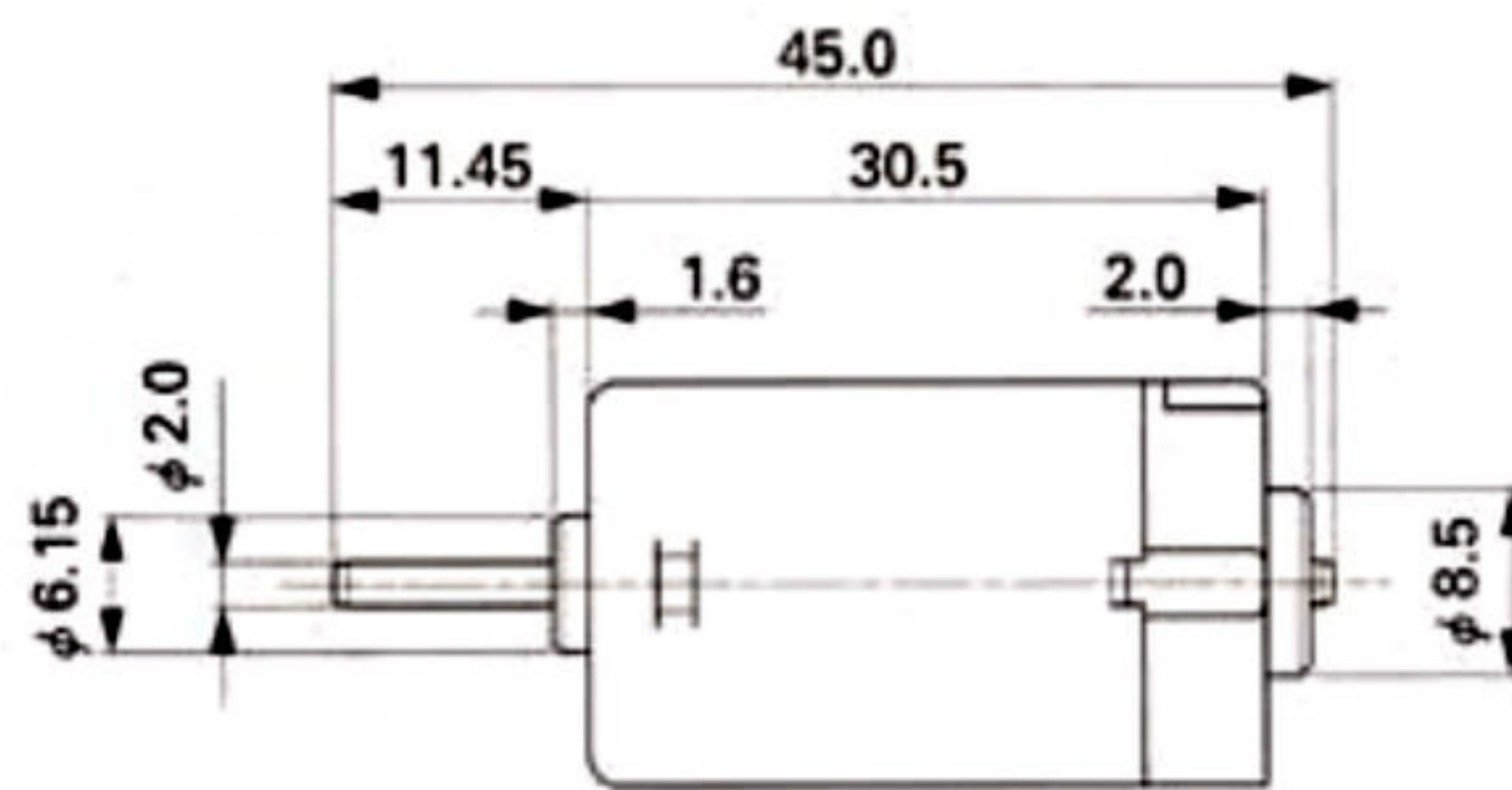
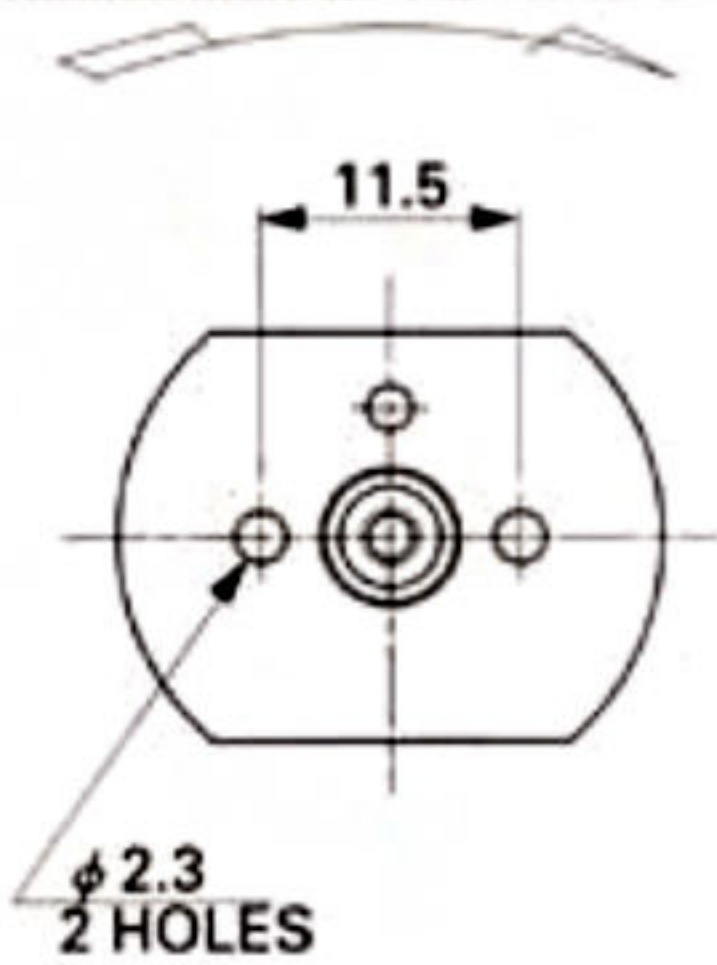


# MABUCHI Small DC FC-280SD

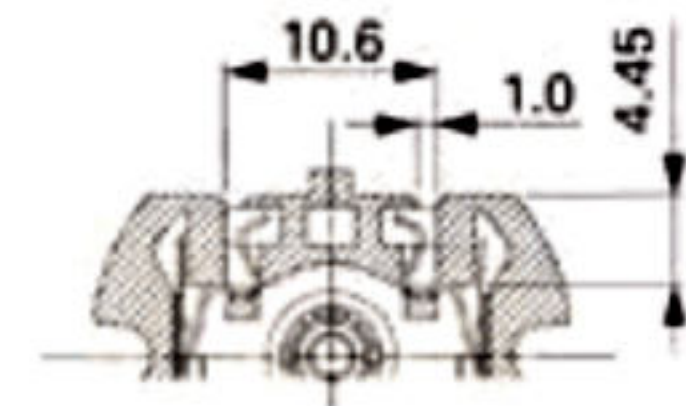


## DIMENSIONS

### DIRECTION OF ROTATION



端子構造部断面図  
Section of Terminal Structure Part.



WEIGHT: 38g (APPROX)

## SPECIFICATION

MODEL	VOLTAGE		NO LOAD		AT MAXIMUM EFFICIENCY					STALL		
	OPERATING RANGE	NOMINAL	SPEED	CURRENT	SPEED	CURRENT	TORQUE		OUTPUT	TORQUE		CURRENT
			r/min	A	r/min	A	g·cm	mN·m	W	g·cm	mN·m	A
FC-280SD-18165	10~15	12V CONSTANT	12400	0.10	10700	0.51	35	3.43	3.84	260	25.5	3.40