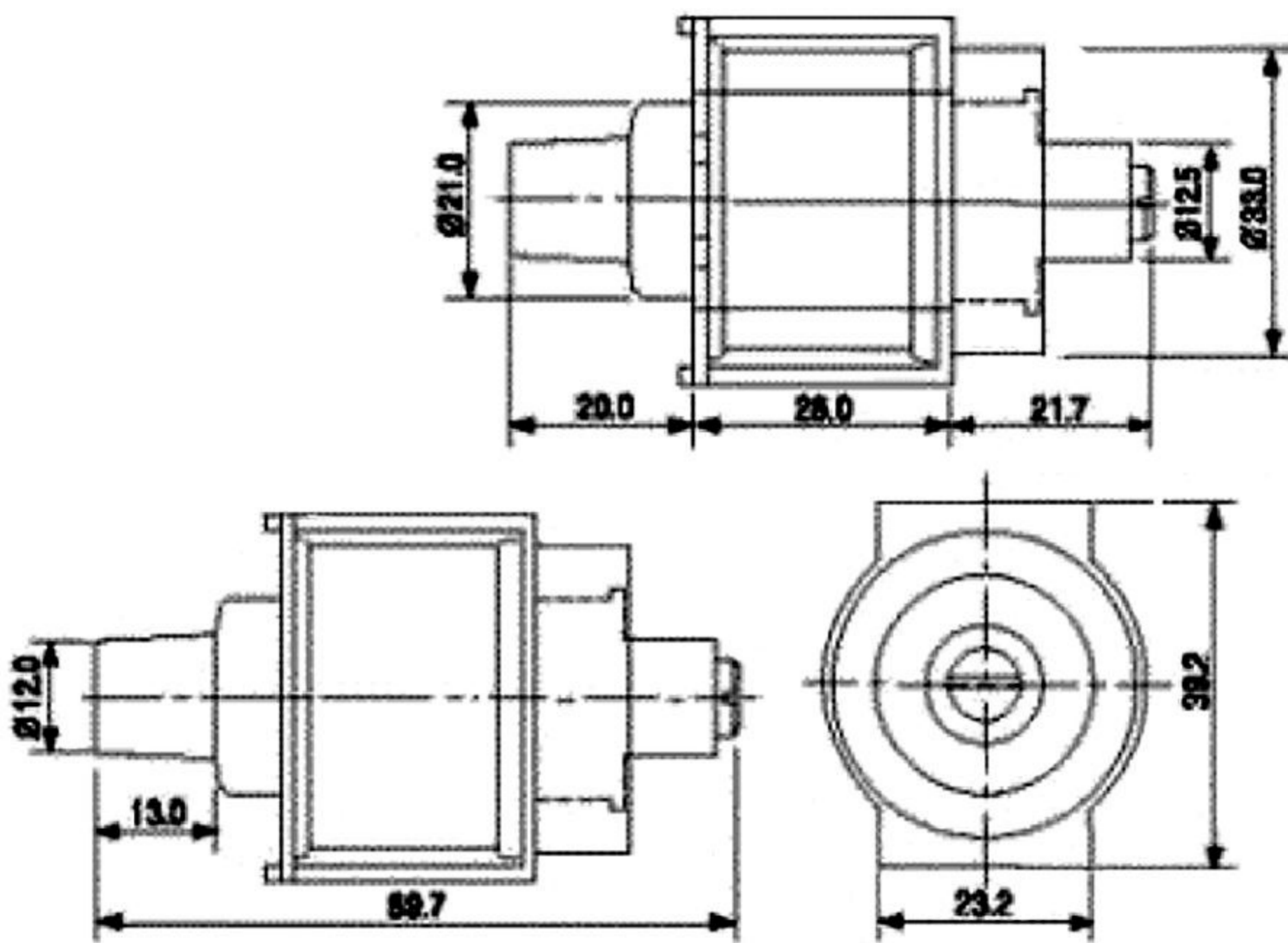


DC Solenoid VALVE

DVH-12W034-02



DIMENSION



CHARACTERISTICS

- Voltage : DC 24V(50/60Hz)
- Current Rating : 0.7mA
- Coil resistance : 34 Ω
- Rating : int. use
- Pressure : 0.5~500gf/cm²
- Fluid : Water
- R (insulation) : 50M Ω @ 500V DC
- Dielectric Strength : 500V AC, 1min.
- Insulation Grade : E (except lead)