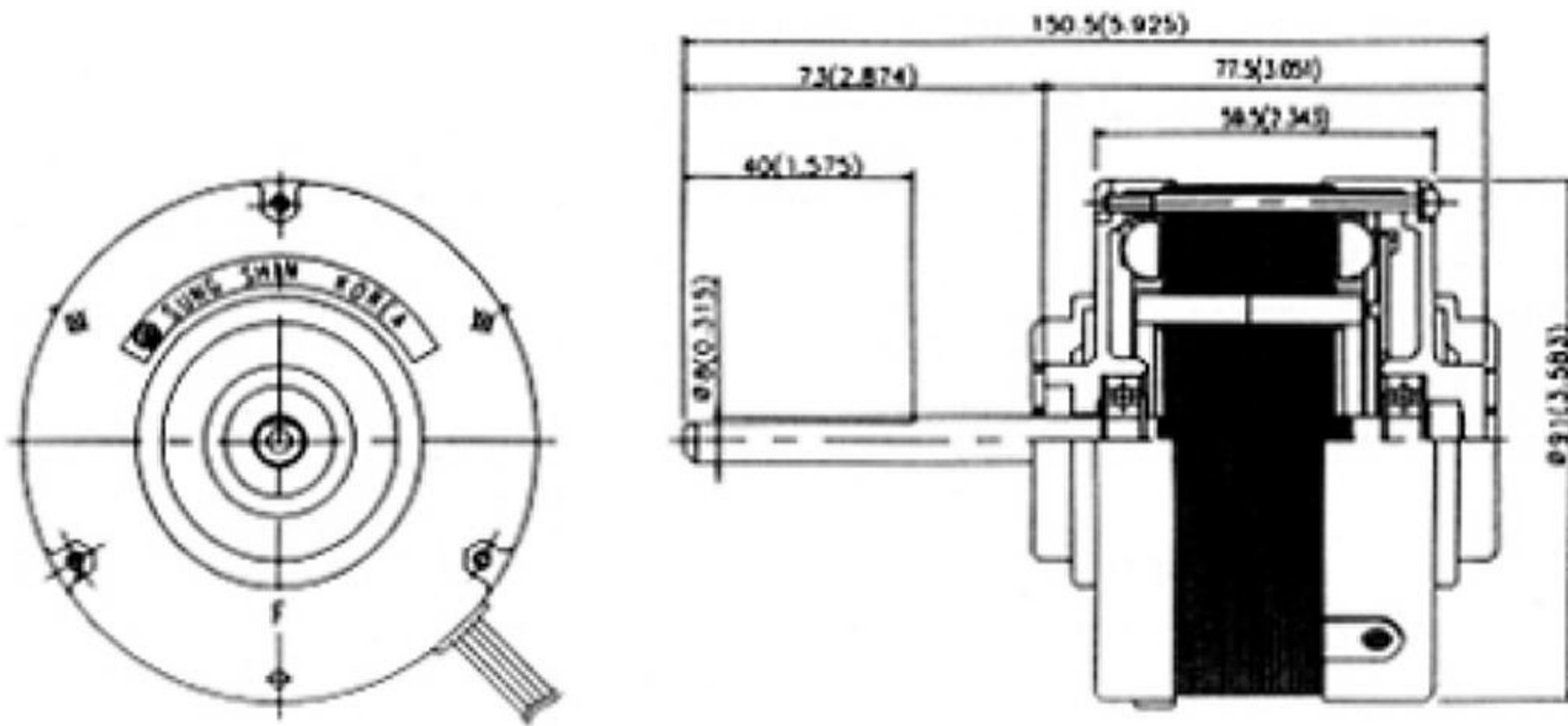


# Inner Rotor

## DL-7806C



### DIMENSIONS



### CHARACTERISTICS LIST

Type	V	Hz	LOAD		LOAD				INS CLASS	PCB OF DRIVE
			INPUT (Wi)	SPEED (RPM)	MAXIMUM TORQUE (oz. in)	SPEED (RPM)	INPUT (Wi)	OUTPUT (Wo)		
DL-7806A	DC10~45 DC100~310	-	1 ~ 12	1700 ~ 7500	2.7 ~ 5.8	1300 ~ 5600	3.2 ~ 67	4 ~ 24	E	INTERNAL
DL-7806B	DC10~45 DC100~310	-	1 ~ 12	1500 ~ 6000	2.7 ~ 8.3	1000 ~ 4000	3.2 ~ 67	2 ~ 25	E	INTERNAL
DL-7806C	DC10~45 DC100~310	-	-	-	2.7 ~ 5.8	1300 ~ 5600	3.2 ~ 67	4 ~ 24	A	INTERNAL
DL-5846	DC12	-	3 ~ 5	3000 ~ 5000	0.7 ~ 2.77	800 ~ 3300	3 ~ 6	0.6 ~ 2.2	E, B	INTERNAL
DL-2213	DC12	-	1 ~ 1.4	1750 ~ 450	0.42 ~ 0.7	1200 ~ 2200	1.5 ~ 2.5	0.4 ~ 1	A, B	INTERNAL
DL-82424	DC10~45	-	0.5 ~ 15.75	900 ~ 35	4.2 ~ 20.8	675 ~ 3000	3.7 ~ 60	2 ~ 45	E, B	OUTER
DL-88412	DC10~45	-	0.5 ~ 9	500 ~ 5000	4.2 ~ 13.2	980 ~ 430	15 ~ 60	4 ~ 41	E, B	INTERNAL
DL-12830	DC10~45 DC100~310	-	5 ~ 10	1000 ~ 3000	13.9 ~ 27	350 ~ 1200	22 ~ 170	36 ~ 246	E, B	INTERNAL
DL-89812	DC10~45 DC100~310	-	0.5 ~ 9	500 ~ 5000	6.9 ~ 28	400 ~ 4000	15 ~ 60	4 ~ 41	E, B	INTERNAL